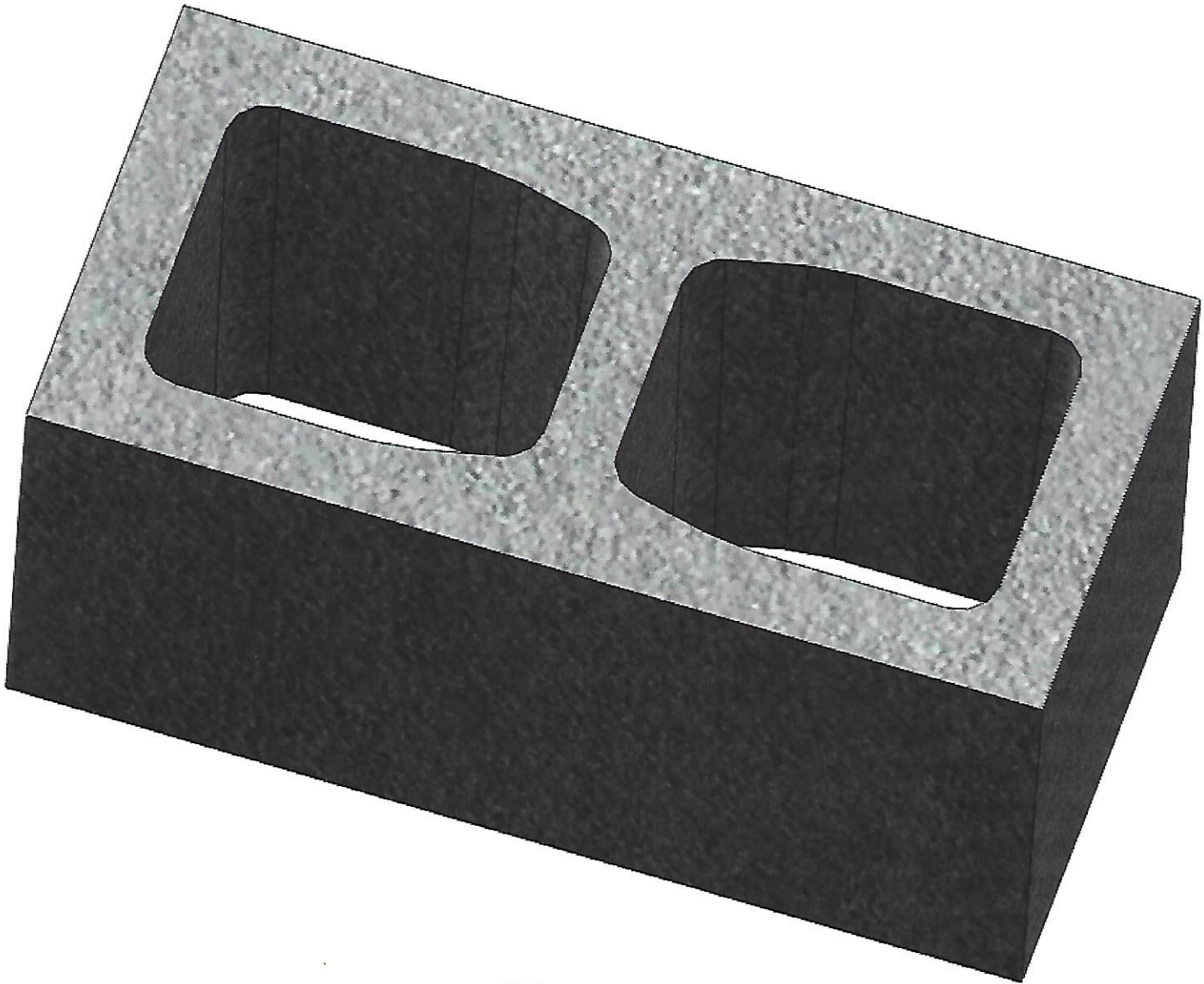


CBIS
Korfil®

Protection is a concrete idea.



CBIS/Korfil
8" Two Pear Core CMU
Similar To Besser # 24109
Volume: 488.763 cu. in.
Equivalent Thickness: 4.102 in.
11-01-2010

Concrete Block Insulating Systems
P.O. Box 1000
Freight House Road
West Brookfield, MA 01585-1000

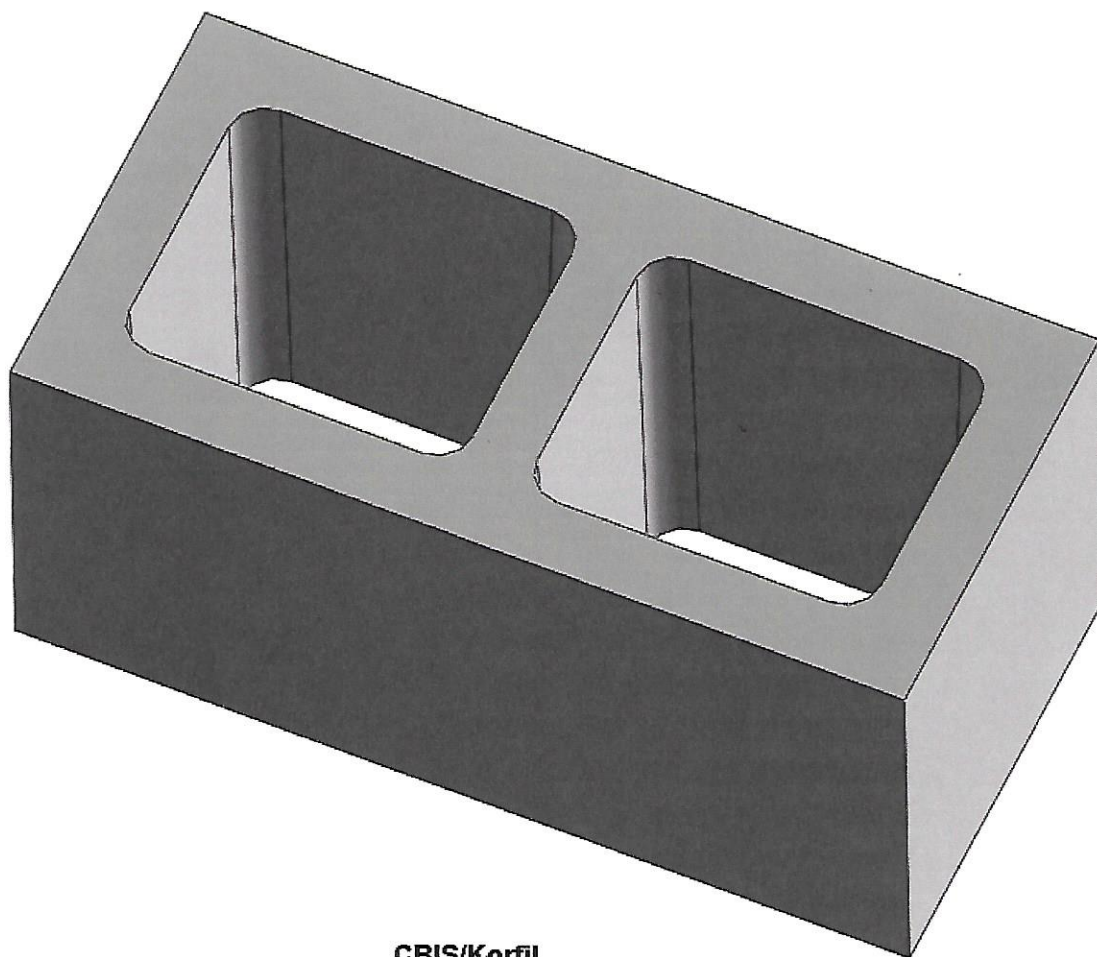
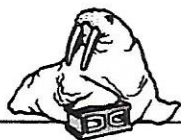
508.867.4241
800.628.8476
Fax: 508.867.5702

www.cbisinc.com
E-mail: korfil@cbisinc.com
Member of NCMA and EPSMA



CBIS
Korfil

Protection is a concrete idea.



CBIS/Korfil
8 x 8 x 16 Two Rectangular Core CMU
Besser #223924
Volume: 475.715 cu. in.
Equivalent thickness: 3.993 in.
11-01-2010

Concrete Block Insulating Systems

P.O. Box 1000
Freight House Road
West Brookfield, MA 01585-1000

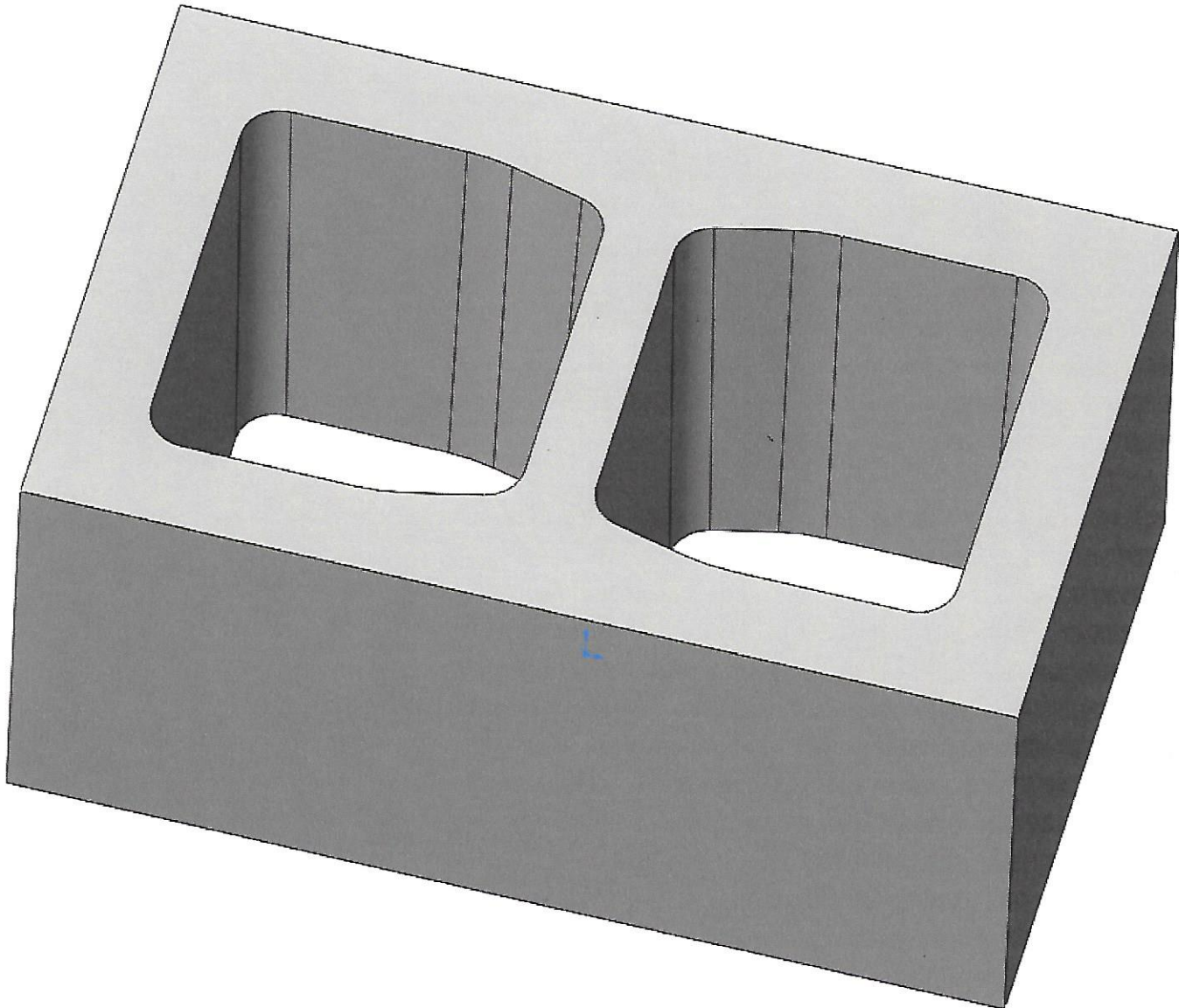
508.867.4241
800.628.8476
Fax: 508.867.5702

www.cbisinc.com
E-mail: korfil@cbisinc.com
Member of NCMA and EPSMA

CBIS
Korfil.



Protection is a concrete idea.



CBIS/Korfil
10 x 8 x 16 Two Pear Core CMU
Besser #
Minimum Hollow Load Bearing Unit
Volume: 618.636 cu. in.
Equivalent Thickness: 5.192 in.
11-01-2010

Concrete Block Insulating Systems

P.O. Box 1000
Freight House Road
West Brookfield, MA 01585-1000

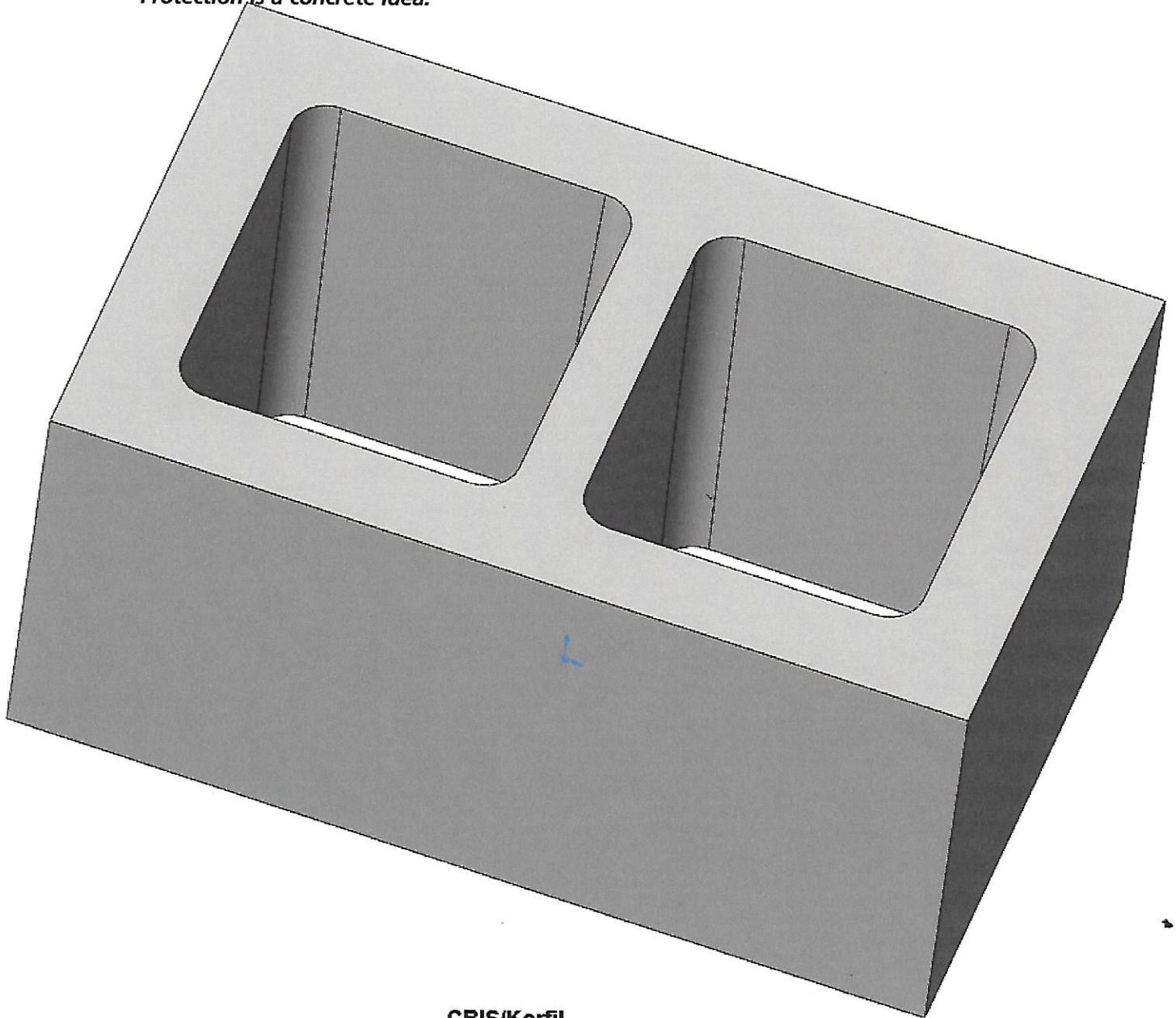
508.867.4241
800.628.8476
Fax: 508.867.5702

www.cbisinc.com
E-mail: korfil@cbisinc.com
Member of NCMA and EPSMA

CBIS
Korfil®



Protection is a concrete idea.



CBIS/Korfil
10 x 8 x 16 Two Rectangular Core CMU
Besser #
Minimum Hollow Load Bearing Unit
Volume: 605.589 cu. in.
Equivalent Thickness: 5.083 in.
11-01.2010

Concrete Block Insulating Systems
P.O. Box 1000
Freight House Road
West Brookfield, MA 01585-1000

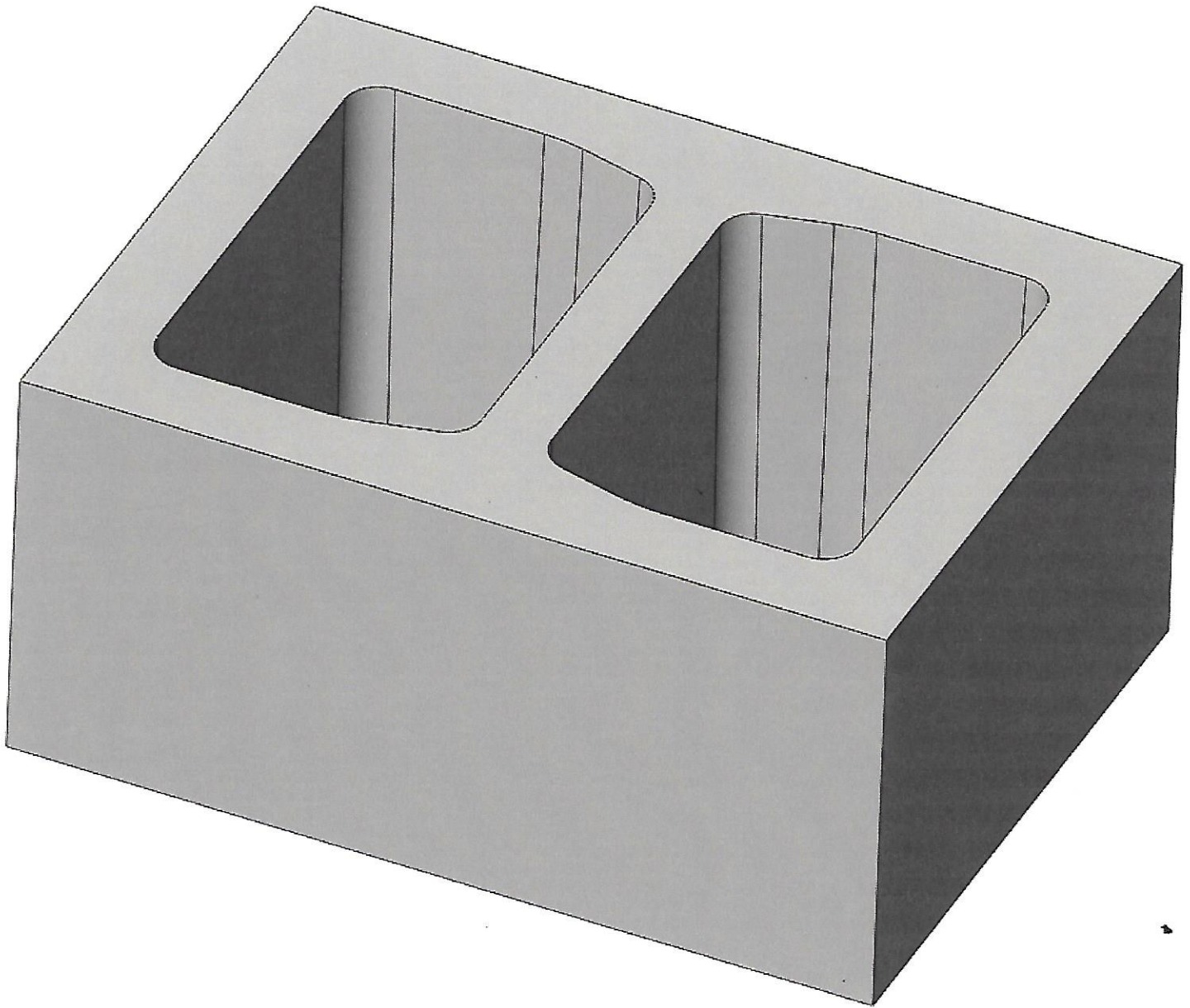
508.867.4241
800.628.8476
Fax: 508.867.5702

www.cbisinc.com
E-mail: korfil@cbisinc.com
Member of NCMA and EPSMA

CBIS
Korfil®



Protection is a concrete idea.



CBIS/Korfil
12 x 8 x 16 Two Pear Core CMU
Besser #20551
Minimum Hollow Load Bearing Unit
Volume: 695.305 cu. in.
Equivalent Thickness: 5.836 in.
11-01-2010

Concrete Block Insulating Systems
P.O. Box 1000
Freight House Road
West Brookfield, MA 01585-1000

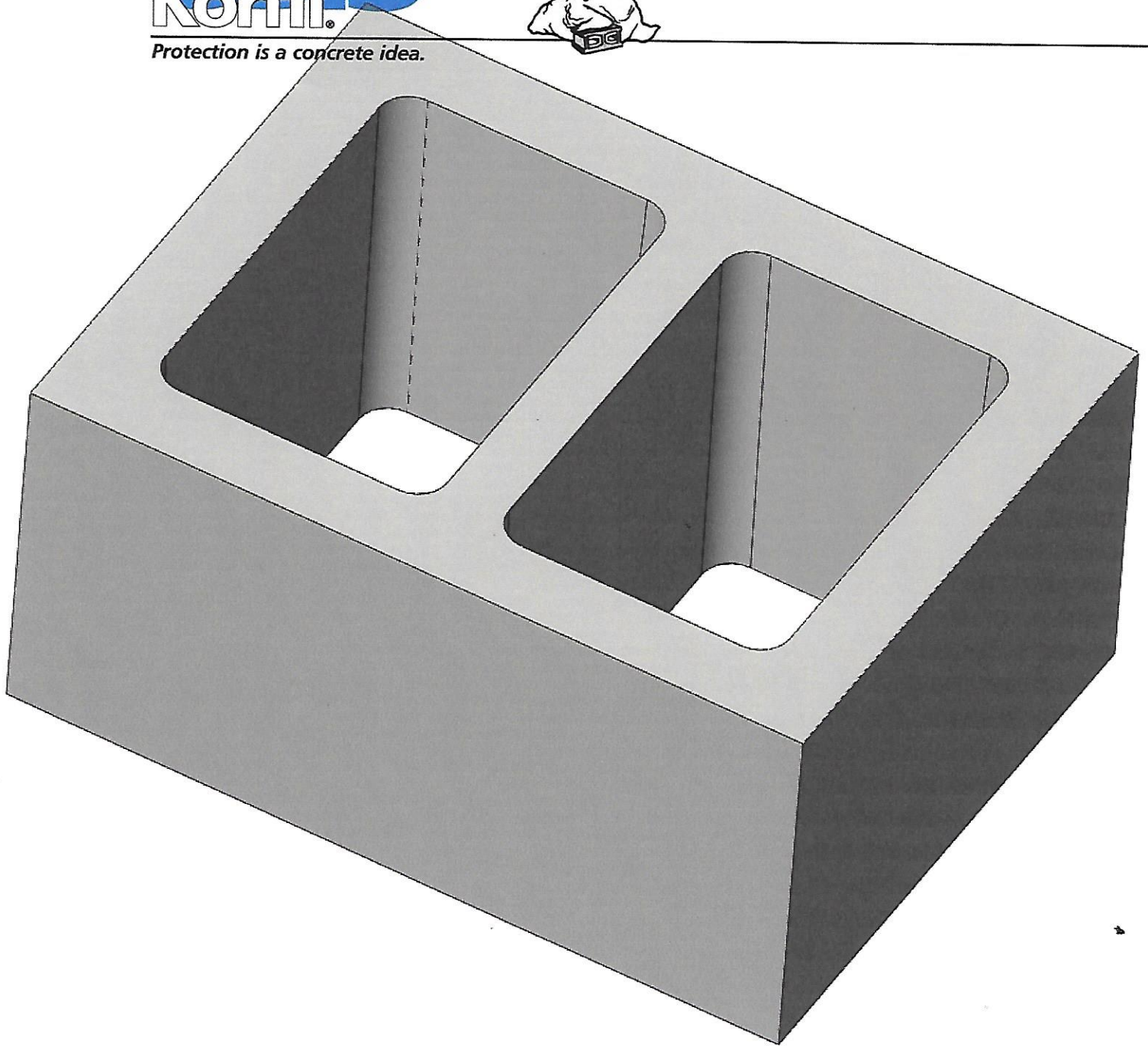
508.867.4241
800.628.8476
Fax: 508.867.5702

www.cbisinc.com
E-mail: korfil@cbisinc.com
Member of NCMA and EPSMA



CBIS
Korfil.

Protection is a concrete idea.



CBIS/Korfil
12 x 8 x 16 Two Rectangular Core CMU
Besser #378744
Minimum Hollow Load Bearing Unit
Volume: 682.258
Equivalent Thickness: 5.727 in.

11-01-2010

508.867.4241

800.628.8476

Fax: 508.867.5702

Concrete Block Insulating Systems

P.O. Box 1000

Freight House Road

West Brookfield, MA 01585-1000

www.cbisinc.com

E-mail: korfil@cbisinc.com

Member of NCMA and EPSMA

