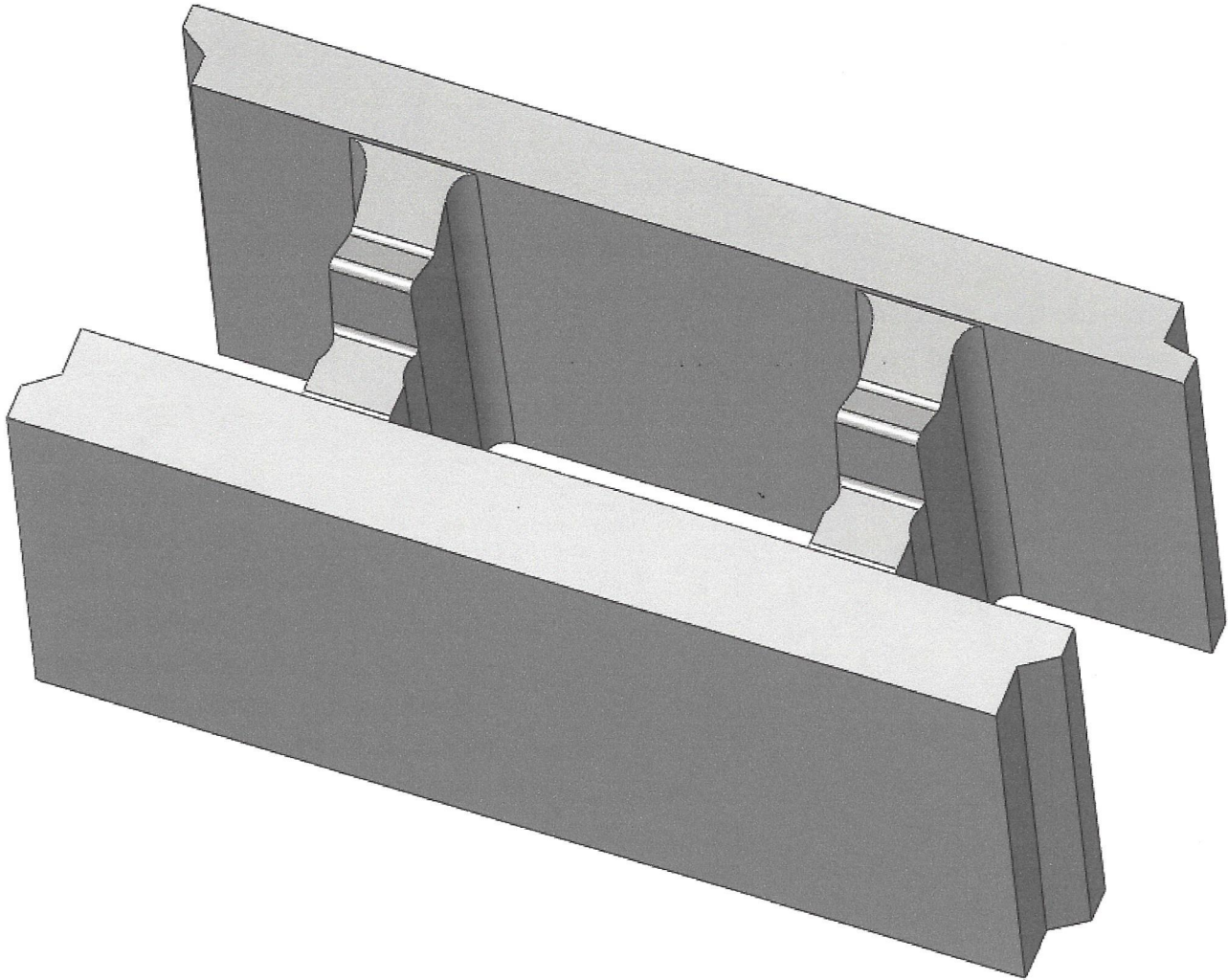


CBIS
Korfil

Protection is a concrete idea.



CBIS/Korfil
8" HI-R w/1 3/4" Thick Outer
Face Shell 4-29-2008
Modified Face Shell Ends 8-17-2010
Volume: 459.745 cu. in.
Equivalent thickness: 3.859 in.
11-01-2010

Concrete Block Insulating Systems

P.O. Box 1000
Freight House Road
West Brookfield, MA 01585-1000

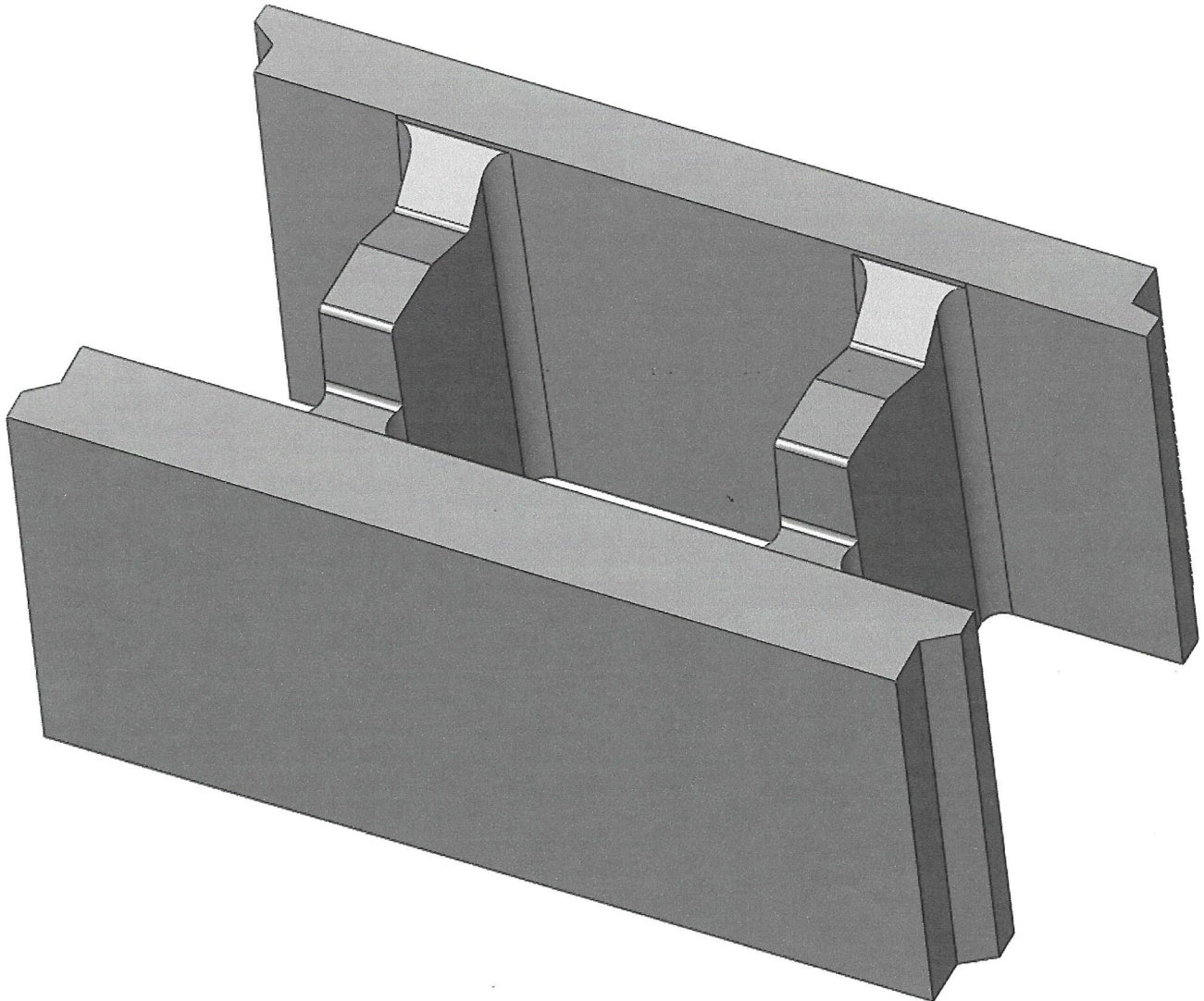
508.867.4241
800.628.8476
Fax: 508.867.5702

www.cbisinc.com
E-mail: korfil@cbisinc.com
Member of NCMA and EPSMA



CBIS
Korfil.

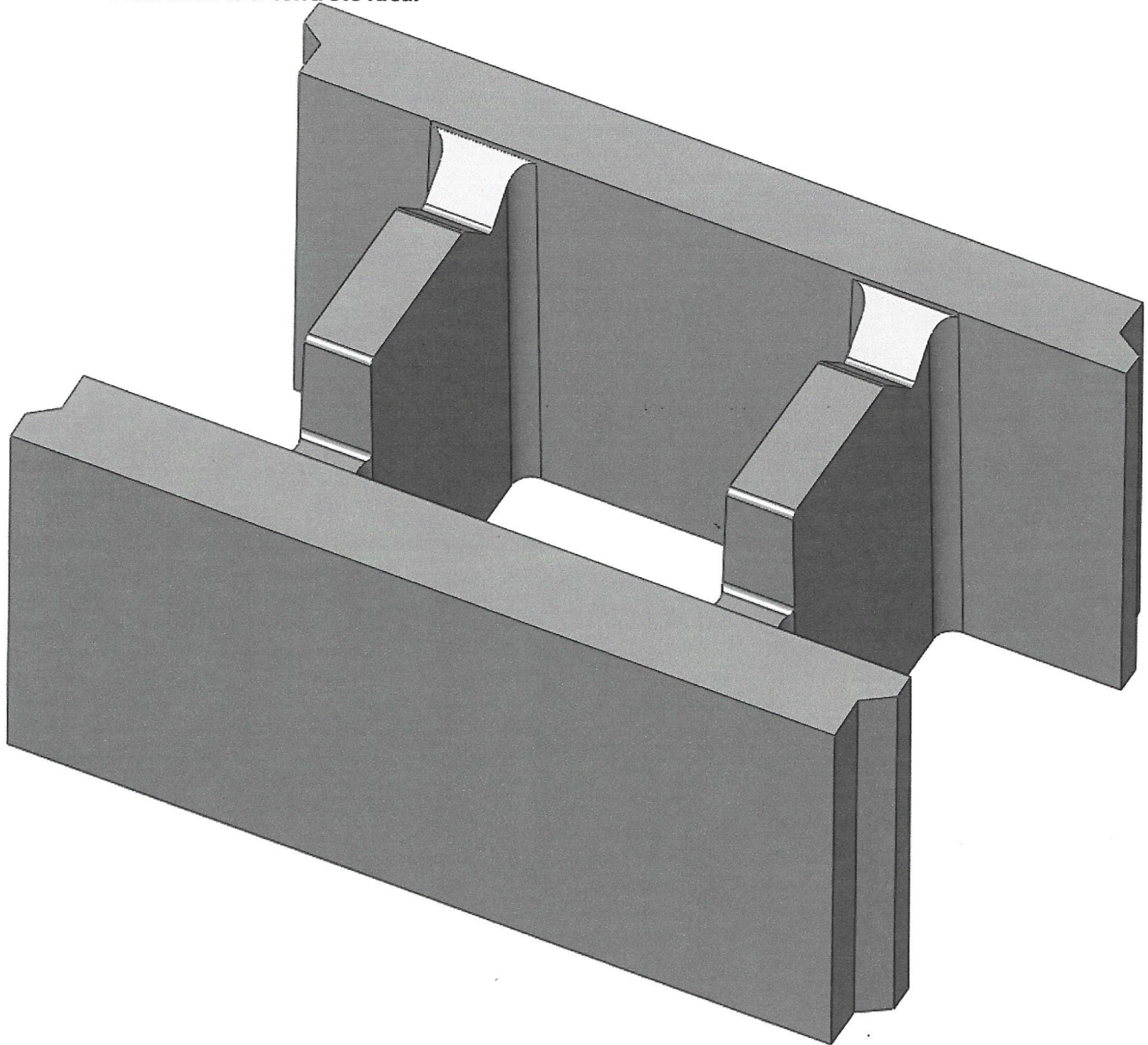
Protection is a concrete idea.



CBIS/Korfil
10" HI-R w/1 3/4" Thick Outer
Face Shell 4-29-2008
Modified Face Shell Ends 8-17-2010
Volume: 512.867 cu. in.
Equivalent Thickness: 4.305 in.
11-01-2010

CBIS
Korfil

Protection is a concrete idea.



CBIS/Korfil
12" HI-R
4-29-2008
Modified Face Shell Ends 8-17-2010
Volume: 584.424 cu. in.
Equivalent Thickness: 4.905 in.
11-01-2010

Concrete Block Insulating Systems

P.O. Box 1000
Freight House Road
West Brookfield, MA 01585-1000

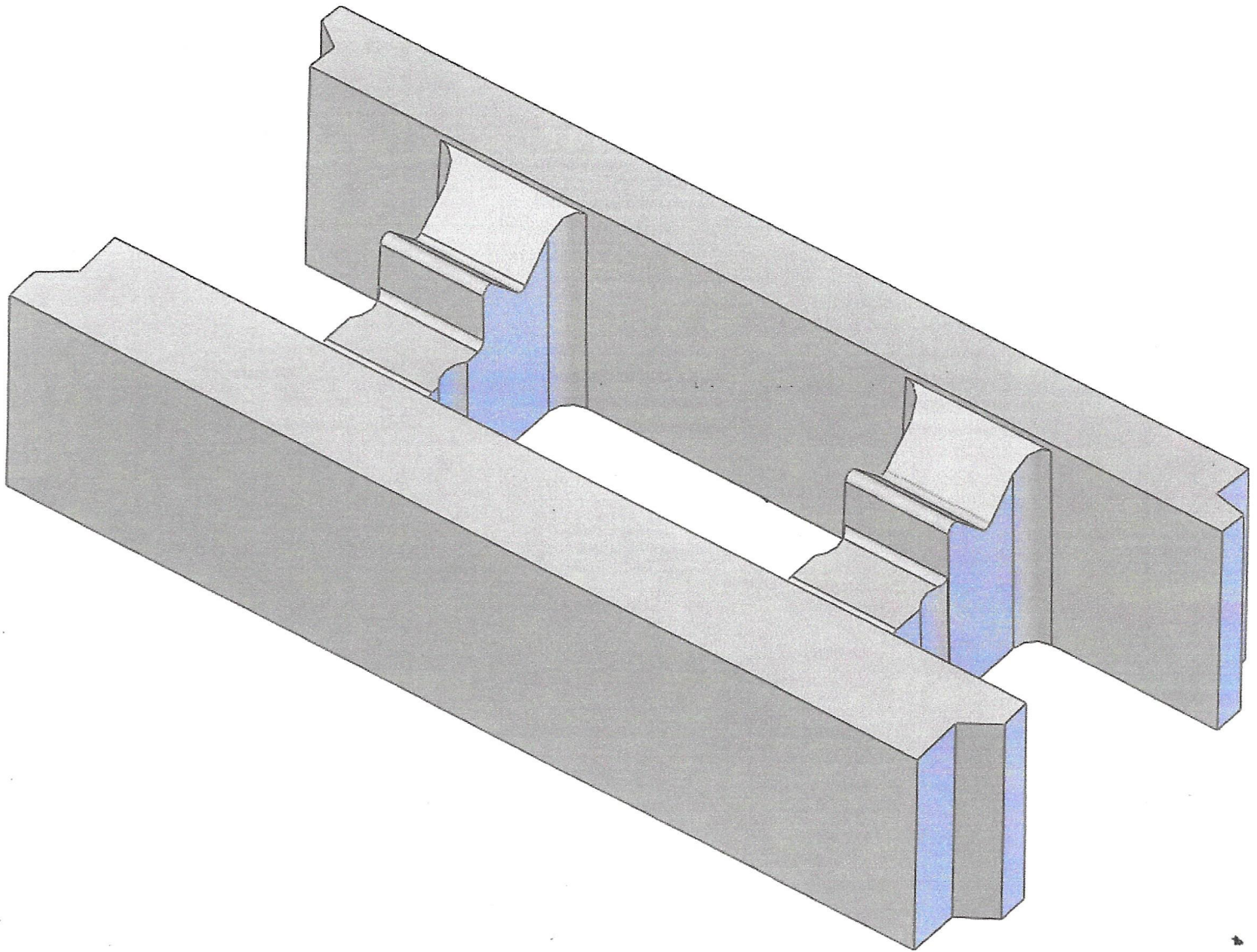
508.867.4241
800.628.8476
Fax: 508.867.5702

www.cbisinc.com
E-mail: korfil@cbisinc.com
Member of NCMA and EPSMA



CBIS
Korfil

Protection is a concrete idea.



CBIS/Korfil
Korfil 8" Half High HI-R
w/Thick Outer Face Shell
1/2/2007
Modified Face Shell Ends
8-17-2010
Volume: 223.726 cu. in.
Equivalent Thickness: 3.950 in.
11-01-2010

Concrete Block Insulating Systems

P.O. Box 1000
Freight House Road
West Brookfield, MA 01585-1000

508.867.4241
800.628.8476
Fax: 508.867.5702

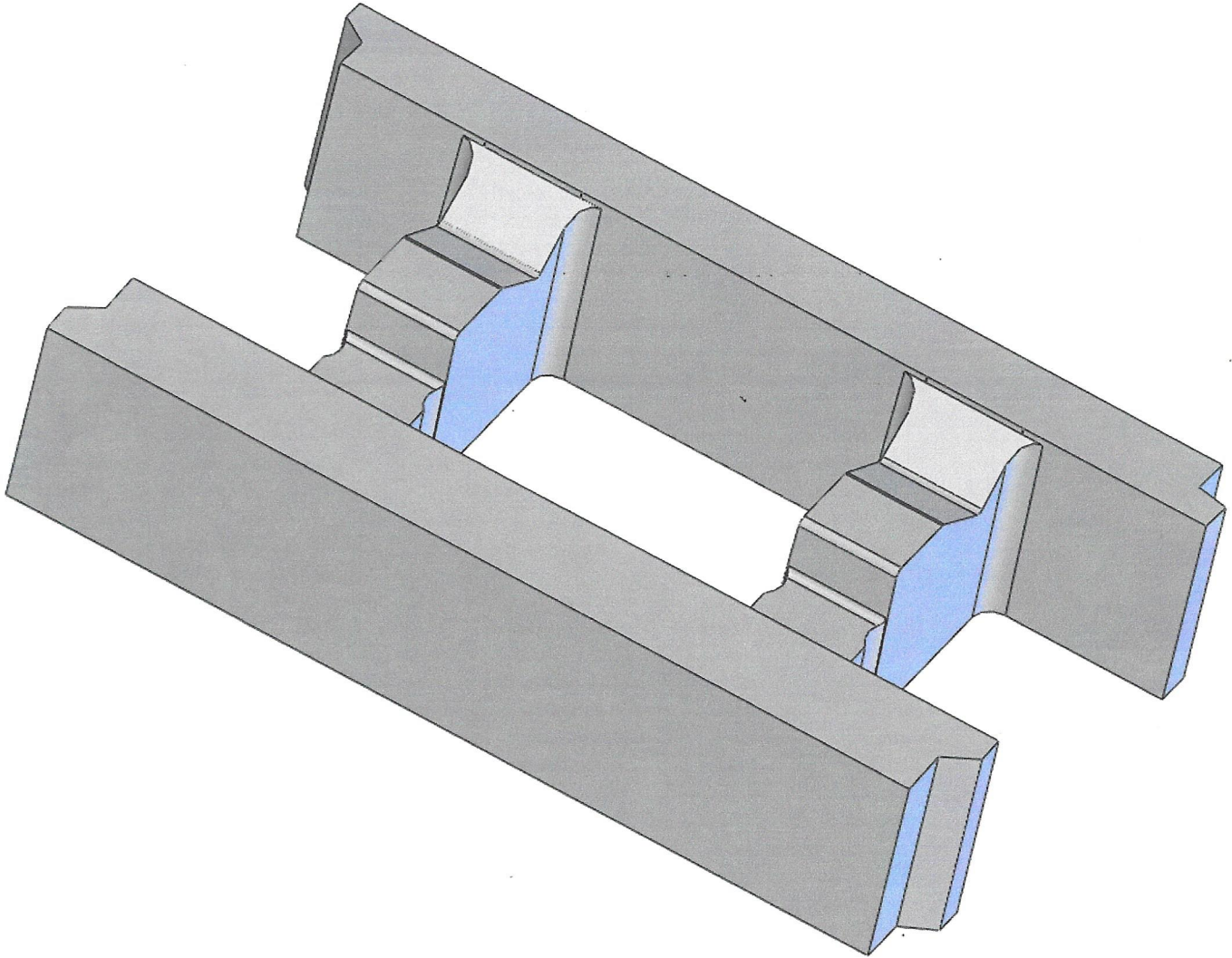
www.cbisinc.com

E-mail: korfil@cbisinc.com

Member of NCMA and EPSMA

CBIS
Korfil.

Protection is a concrete idea.



CBIS/Korfil
Korfil 10" Half High HI-R 7-4-2007
1. Added Thick Outer Face Shell 8-17-2010
2. Modified Face Shell Ends 8-17-2010
Volume: 253.577 cu. in.
Equivalent Thickness: 4.477 in.
11-01-2010

Concrete Block Insulating Systems

P.O. Box 1000
Freight House Road
West Brookfield, MA 01585-1000

508.867.4241
800.628.8476
Fax: 508.867.5702

www.cbisinc.com

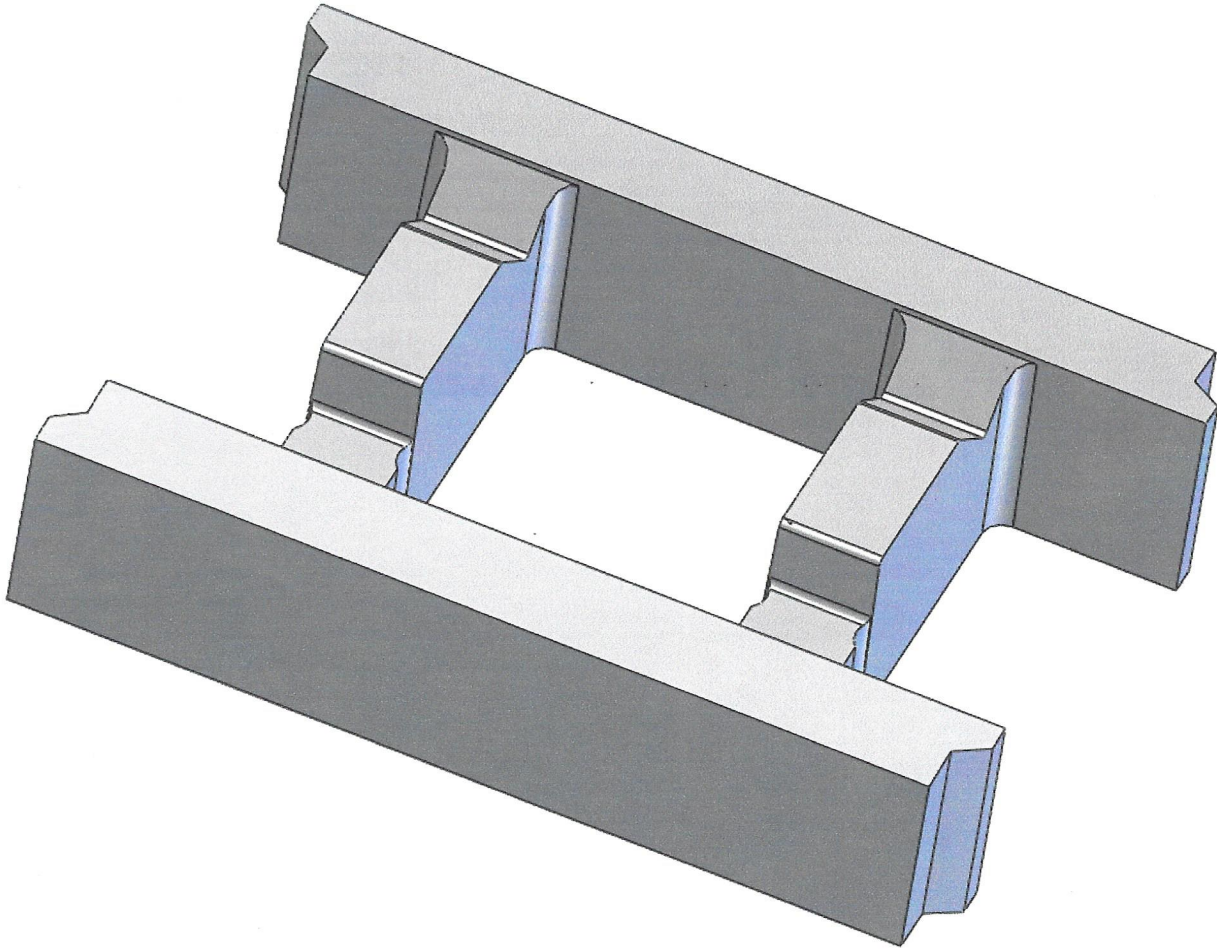
E-mail: korfil@cbisinc.com

Member of NCMA and EPSMA



CBIS
Korfil

Protection is a concrete idea.



CBIS/Korfil
Korfil 12" Half High HI-R
7-5-2007
Modified Face Shell Ends
8-17-2010
Volume: 293.002 cu. in.
Equivalent Thickness: 5.173 in.
11-01-2010

Concrete Block Insulating Systems
P.O. Box 1000
Freight House Road
West Brookfield, MA 01585-1000

508.867.4241
800.628.8476
Fax: 508.867.5702

www.cbisinc.com
E-mail: korfil@cbisinc.com
Member of NCMA and EPSMA