

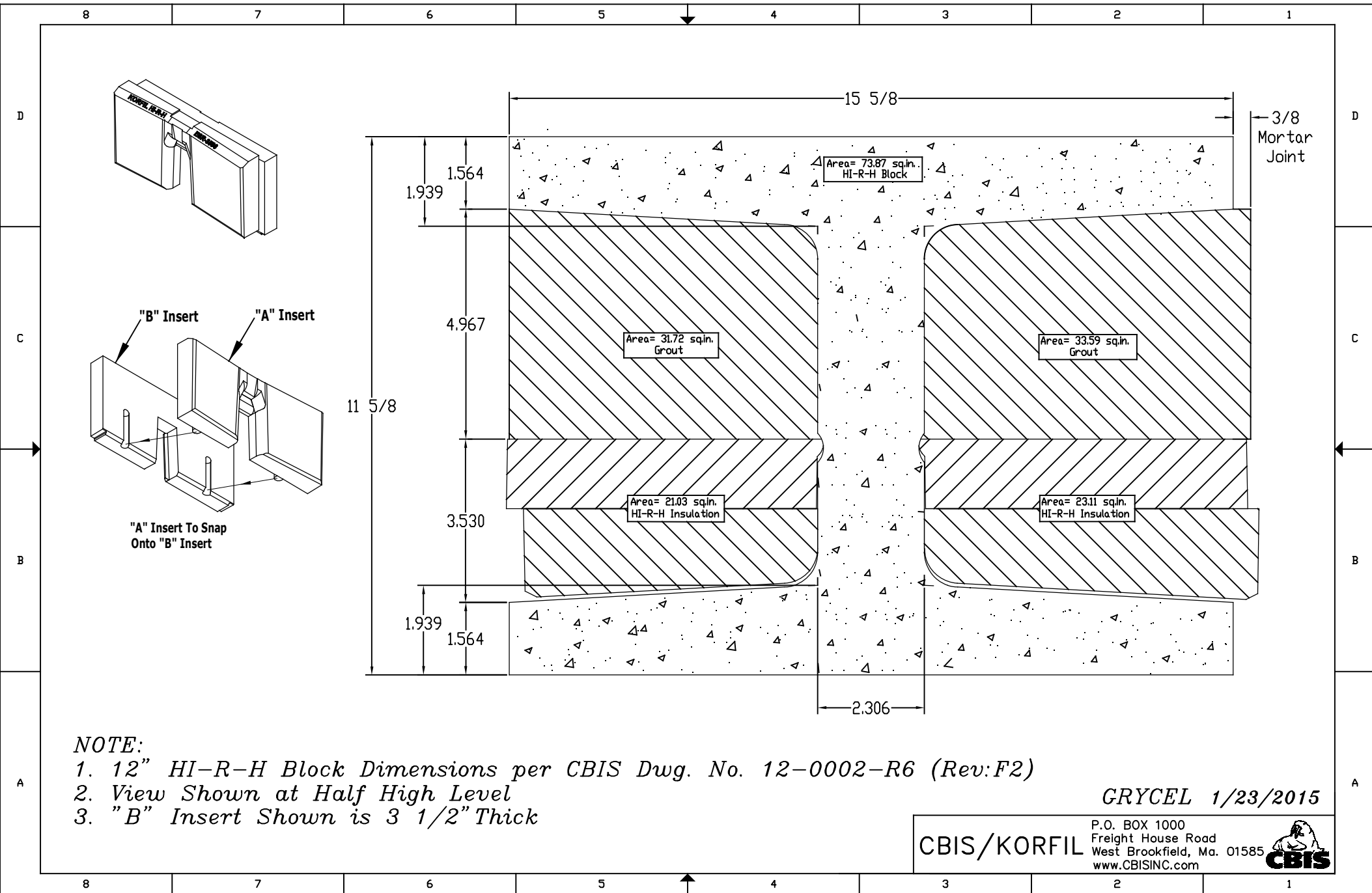
NOTE:

1. 10" HI-R-H Block Dimensions per CBIS Dwg. No. 13-0006-RO (Rev o)
2. View Shown at Half High Level
3. "B" Insert Shown is 3 1/2" Thick

GRYCEL 1/23/2015

CBIS/KORFIL
 P.O. BOX 1000
 Freight House Road
 West Brookfield, Ma. 01585
 www.CBISINC.com





NOTE:

1. 12" HI-R-H Block Dimensions per CBIS Dwg. No. 12-0002-R6 (Rev:F2)
2. View Shown at Half High Level
3. "B" Insert Shown is 3 1/2" Thick

GRYCEL 1/23/2015

CBIS/KORFIL
 P.O. BOX 1000
 Freight House Road
 West Brookfield, Ma. 01585
 www.CBISINC.com

