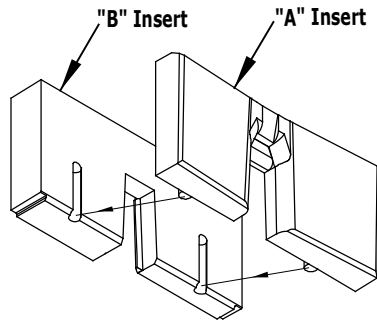
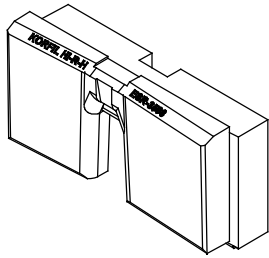


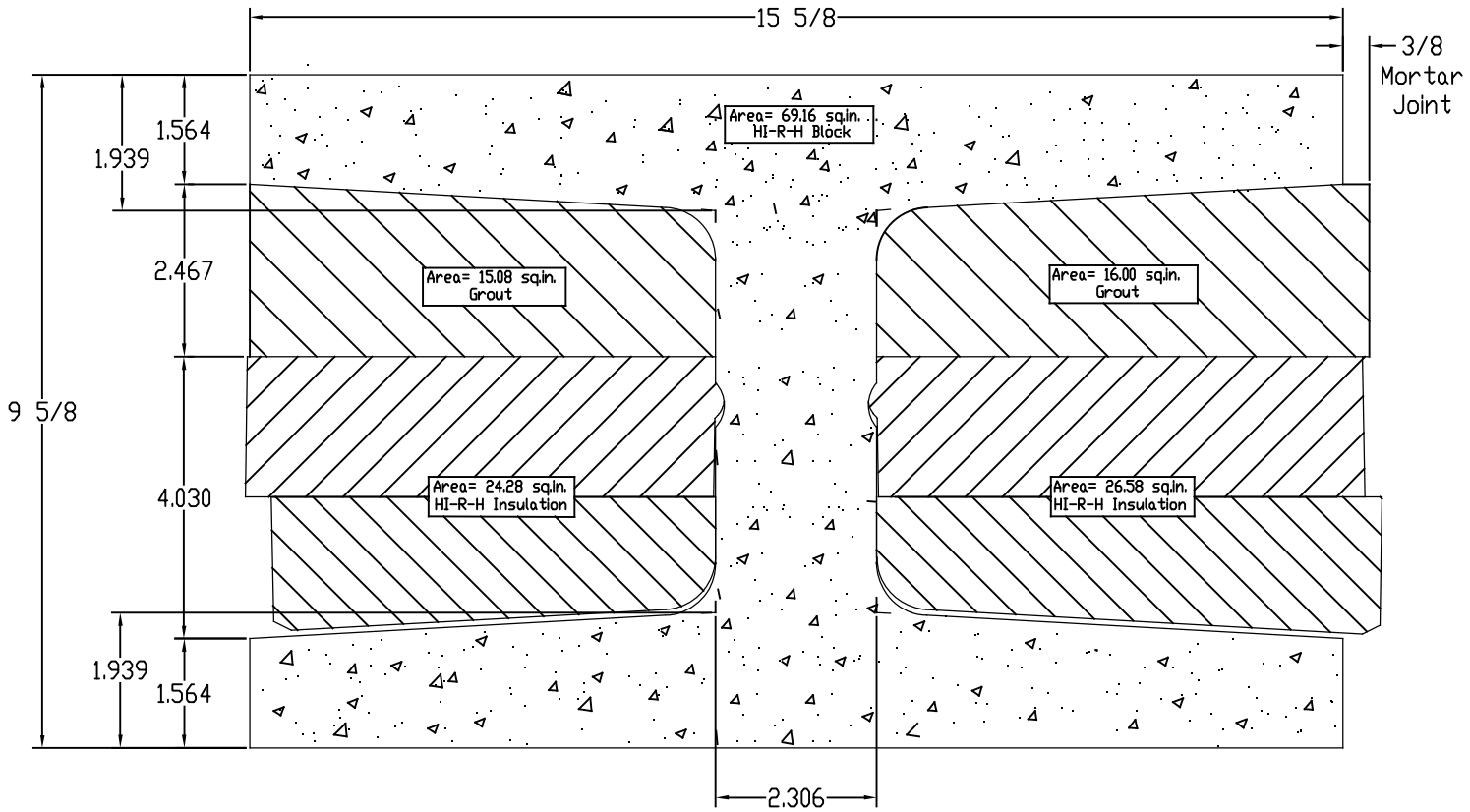
8 7 6 5 4 3 2 1

D

D



"A" Insert To Snap Onto "B" Insert



C

C

B

B

NOTE:

1. 10" HI-R-H Block Dimensions
2. View Shown at Half High Level
3. "B" Insert Shown is 4" Thick

A

A

8 7 6 5 4 3 2 1

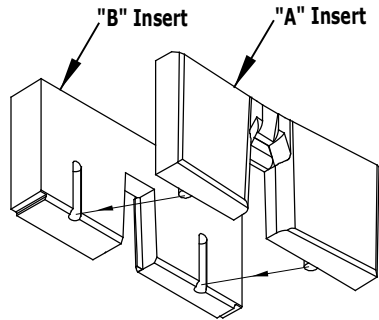
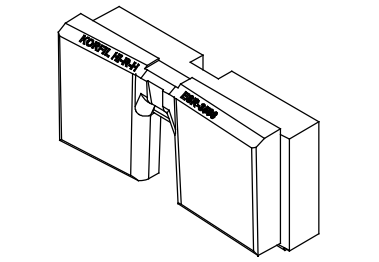
CBIS/KORFIL

GRYCEL 1/23/2015

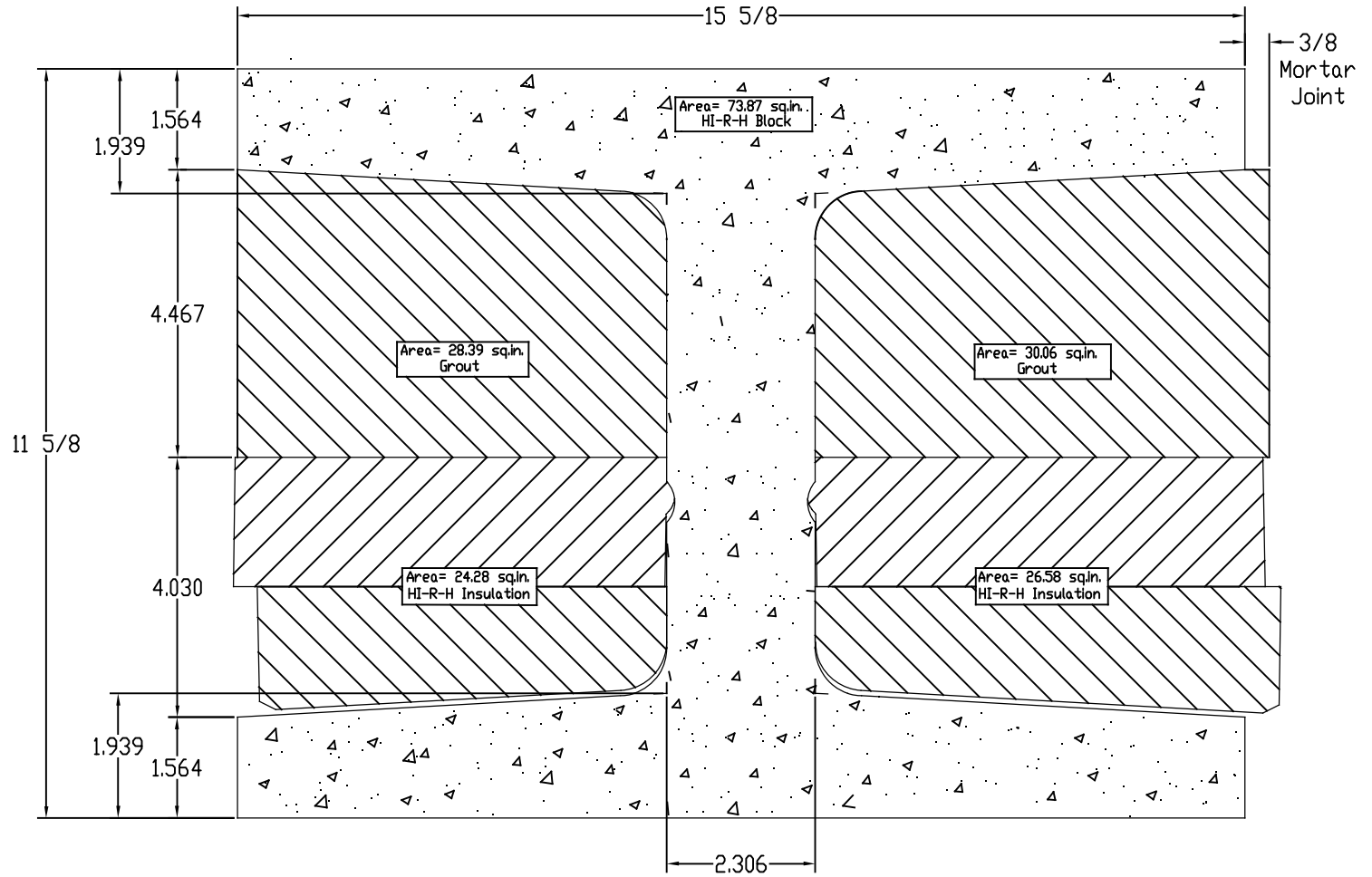
P.O. BOX 1000
 Freight House Road
 West Brookfield, Ma. 01585
 www.CBISINC.com



8 7 6 5 4 3 2 1



"A" Insert To Snap Onto "B" Insert



NOTE:

1. 12" HI-R-H Block Dimensions
2. View Shown at Half High Level
3. "B" Insert Shown is 4" Thick

GRYCEL 1/23/2015

CBIS/KORFIL

P.O. BOX 1000
 Freight House Road
 West Brookfield, Ma. 01585
 www.CBISINC.com



8 7 6 5 4 3 2 1