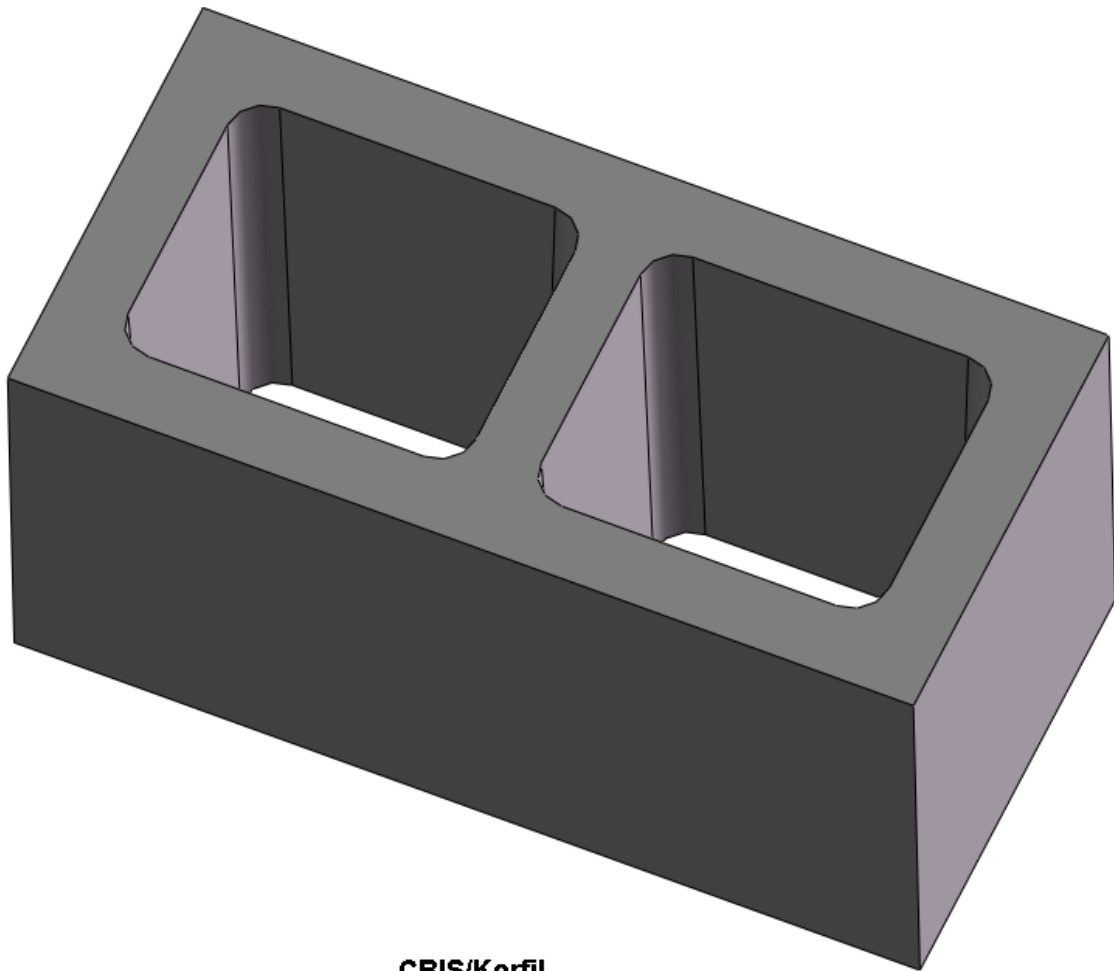
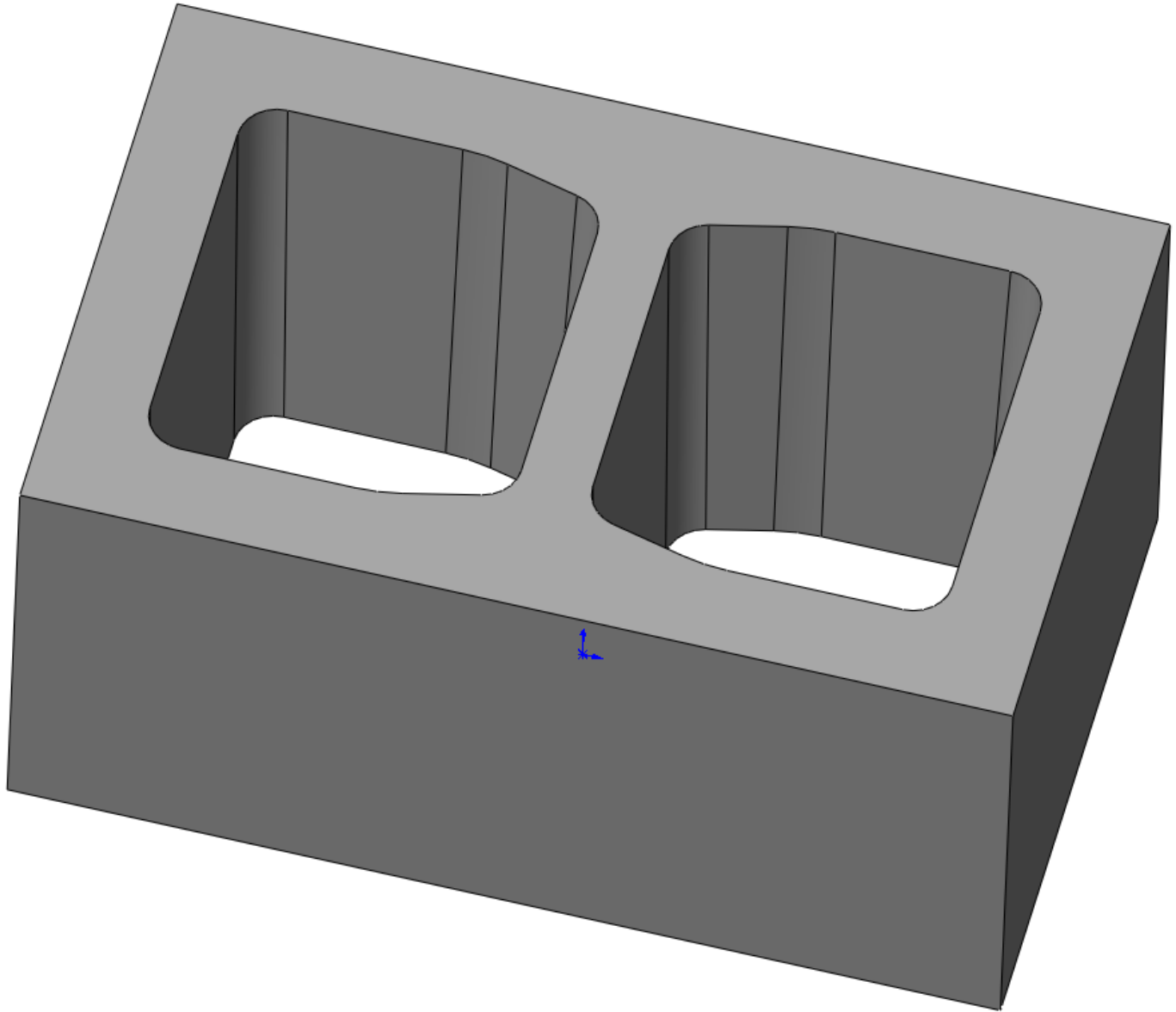


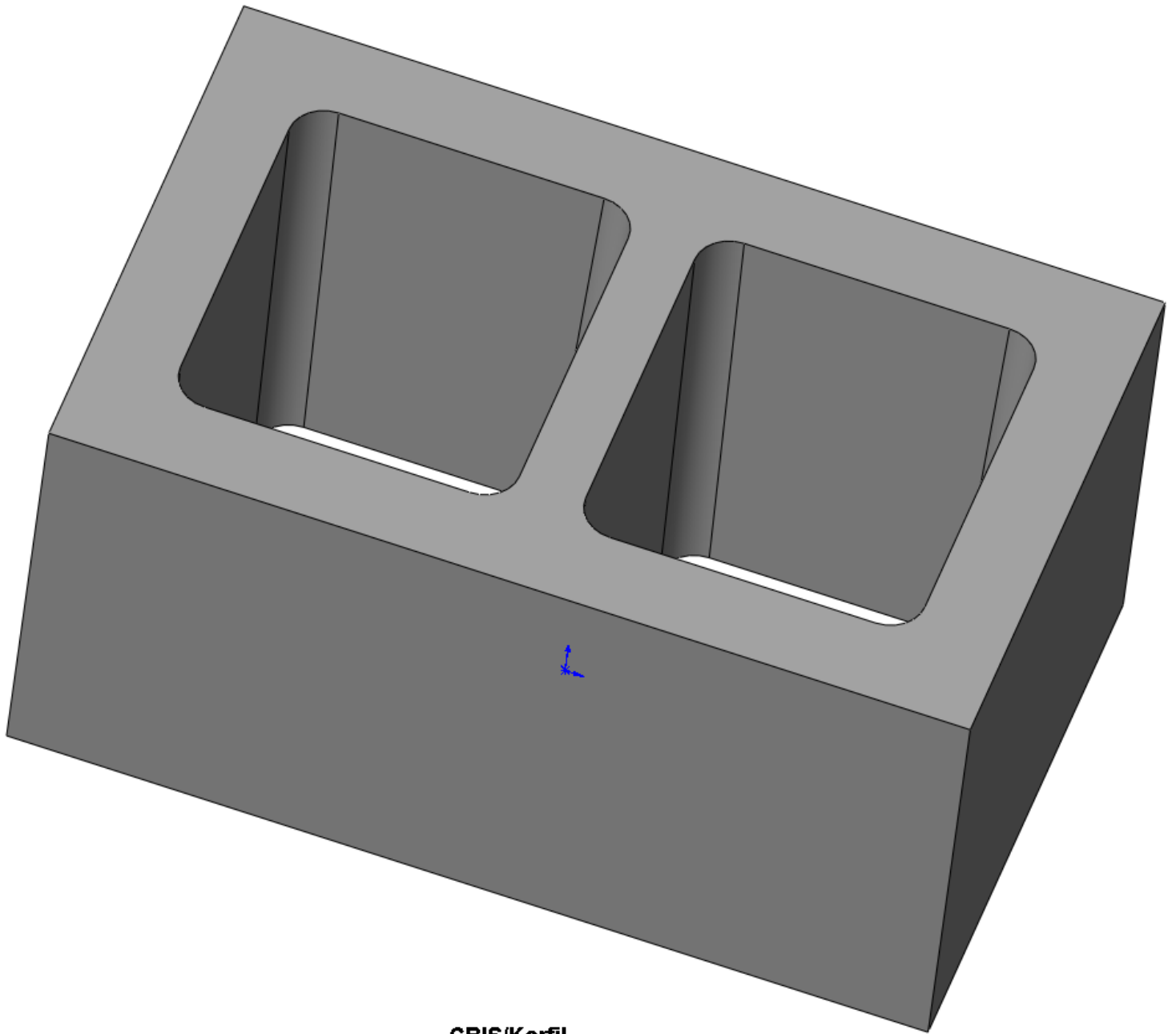
CBIS/Korfil
8" Two Pear Core CMU
Similar To Besser # 24109
Volume: 488.763 cu. in.
Equivalent Thickness: 4.102 in.
11-01-2010



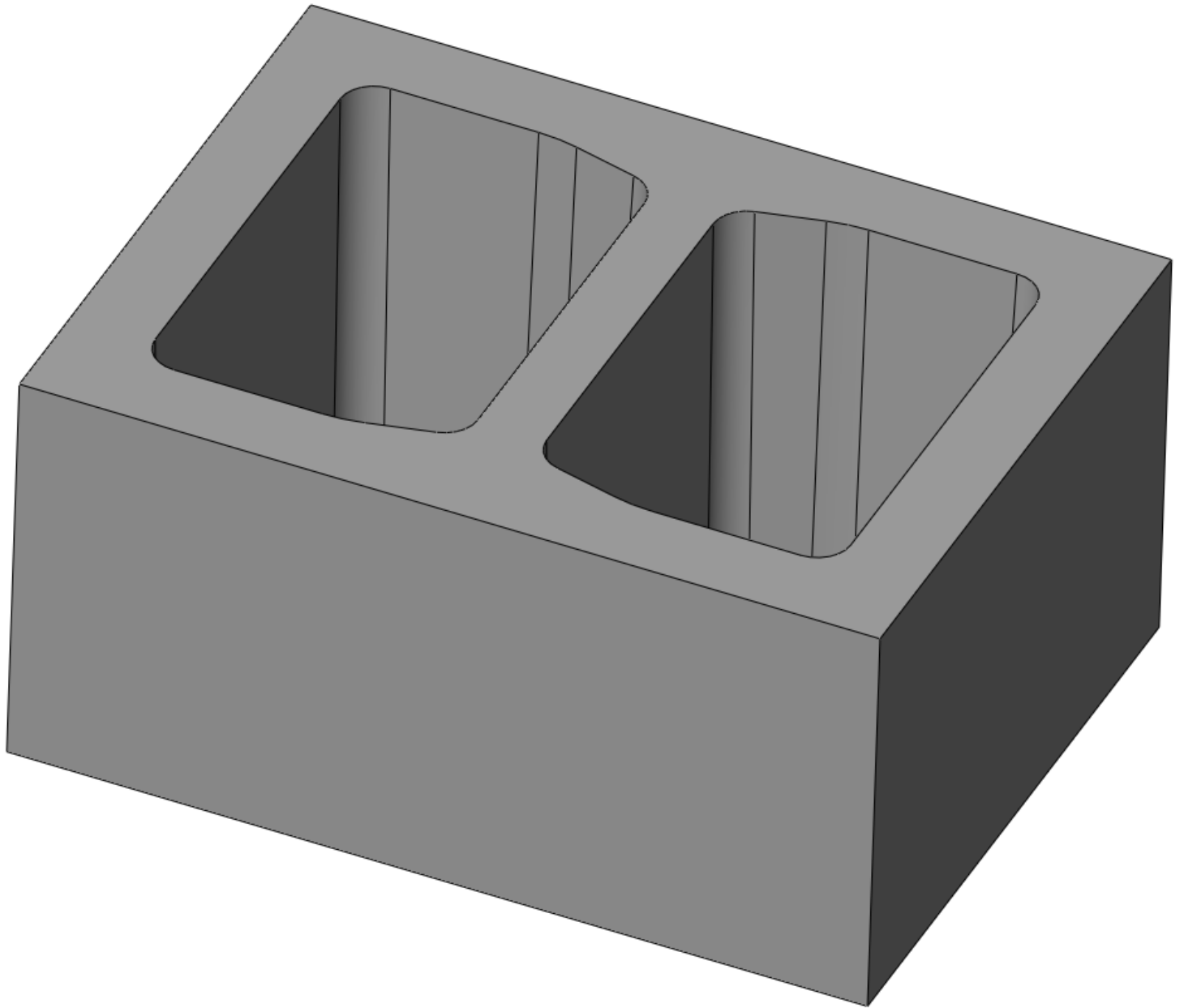
CBIS/Korfil
8 x 8 x 16 Two Rectangular Core CMU
Besser #223924
Volume: 475.715 cu. in.
Equivalent thickness: 3.993 in.
11-01-2010



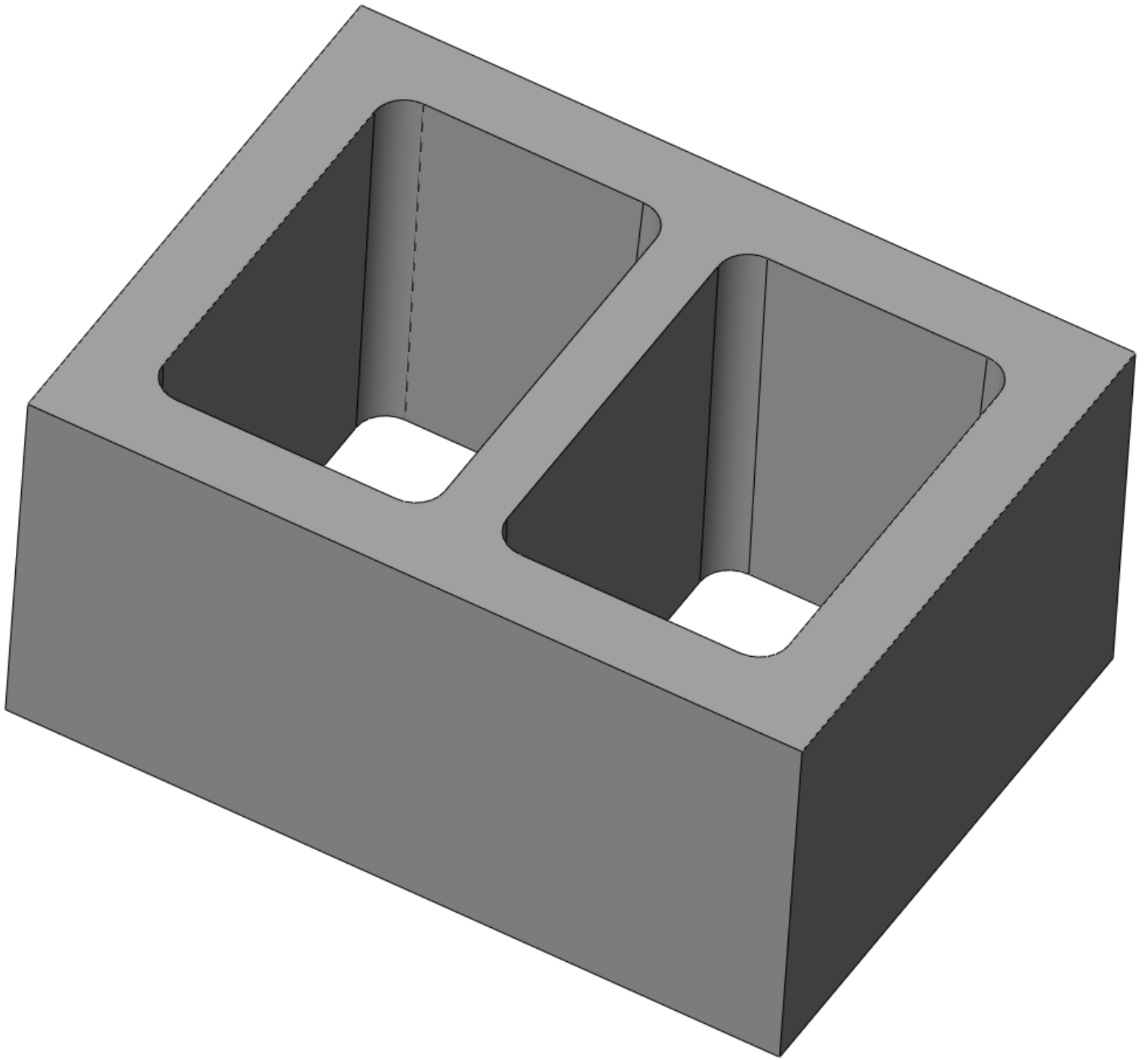
CBIS/Korfil
10 x 8 x 16 Two Pear Core CMU
Besser #
Minimum Hollow Load Bearing Unit
Volume: 618.636 cu. in.
Equivalent Thickness: 5.192 in.
11-01-2010



CBIS/Korfil
10 x 8 x 16 Two Rectangular Core CMU
Besser #
Minimum Hollow Load Bearing Unit
Volume: 605.589 cu. in.
Equivalent Thickness: 5.083 in.
11-01.2010



CBIS/Korfil
12 x 8 x 16 Two Pear Core CMU
Besser #20551
Minimum Hollow Load Bearing Unit
Volume: 695.305 cu. in.
Equivalent Thickness: 5.836 in.
11-01-2010



CBIS/Korfil
12 x 8 x 16 Two Rectangular Core CMU
Besser #378744
Minimum Hollow Load Bearing Unit
Volume: 682.258
Equivalent Thickness: 5.727 in.
11-01-2010