

NOTE:

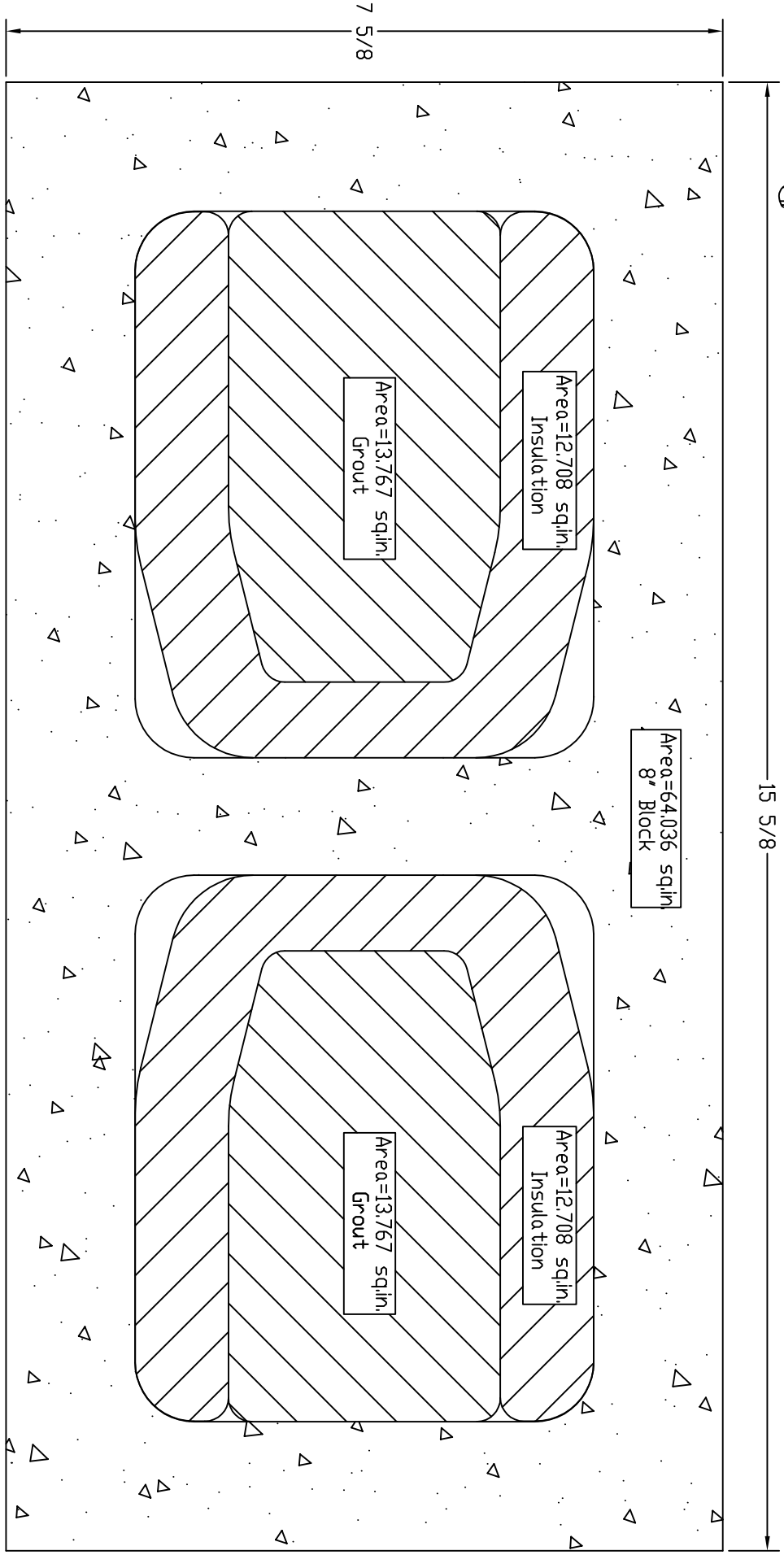
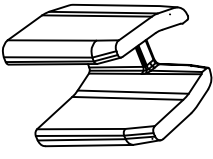
1. 8" Block Dimensions per NCMA Standards
2. View Shown at Half High Level
3. Korfil U-Shape Insulation Shown
4. Upper View Shown (The Void Section At The Center Web Is Where The Hand Hold Area Is Located)

CBIS/KORFIL

P.O. BOX 1000
FREIGHT HOUSE ROAD
WEST BROOKFIELD, MA. 01585
WWW.CBISINC.COM



GRYCEL
5/7/2010



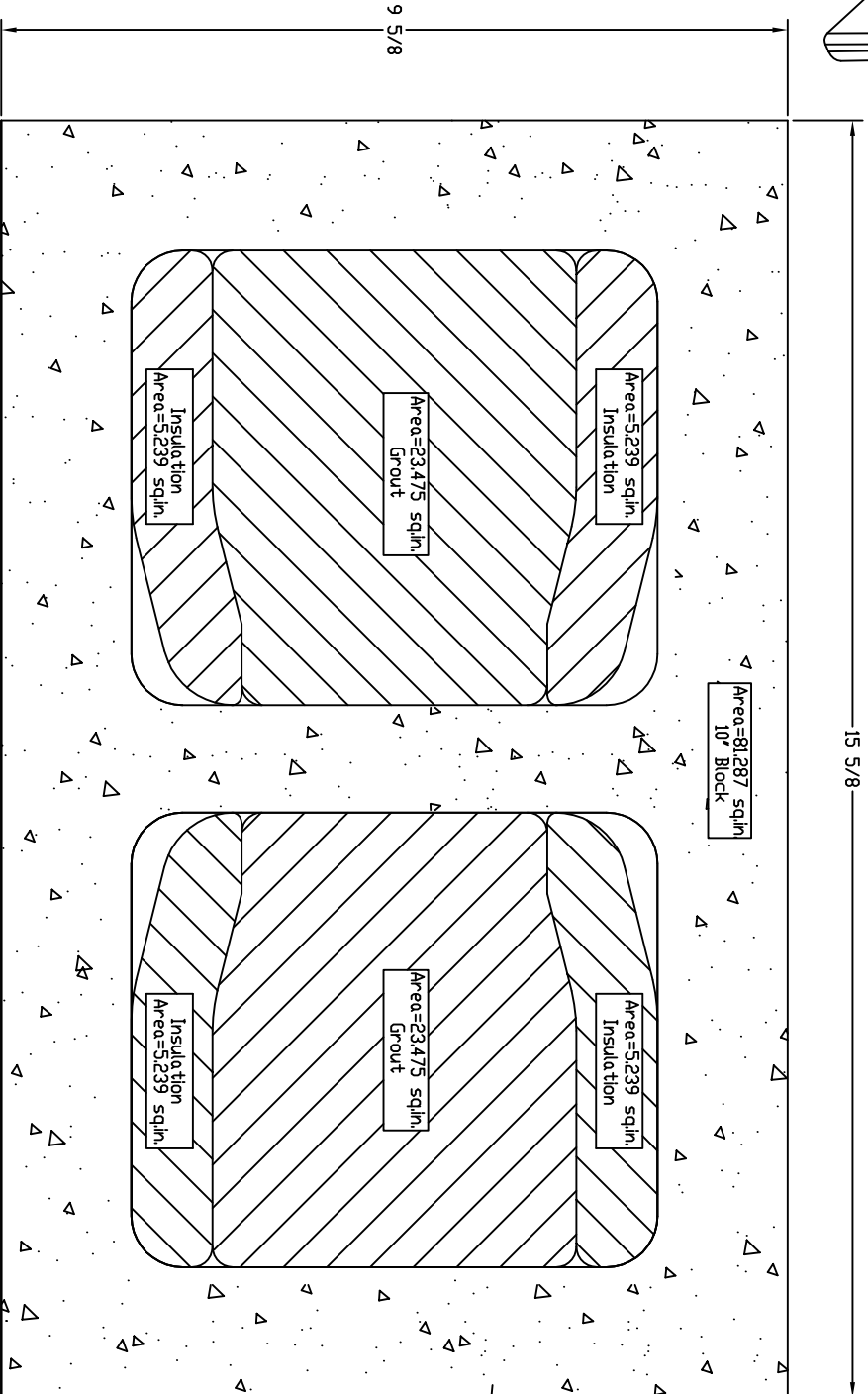
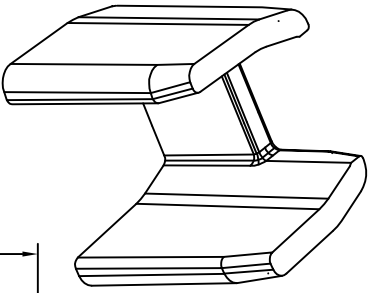
NOTE:

1. 8" Block Dimensions per NCMA Standards
2. View Shown at Half High Level
3. Korfil U-Shape Insulation Shown
4. Lower View Shown

CBIS/KORFIL
P.O. BOX 1000
FREIGHT HOUSE ROAD
WEST BROOKFIELD, MA. 01585
WWW.CBISINC.COM



GRYCEL
5/7/2010



NOTE:

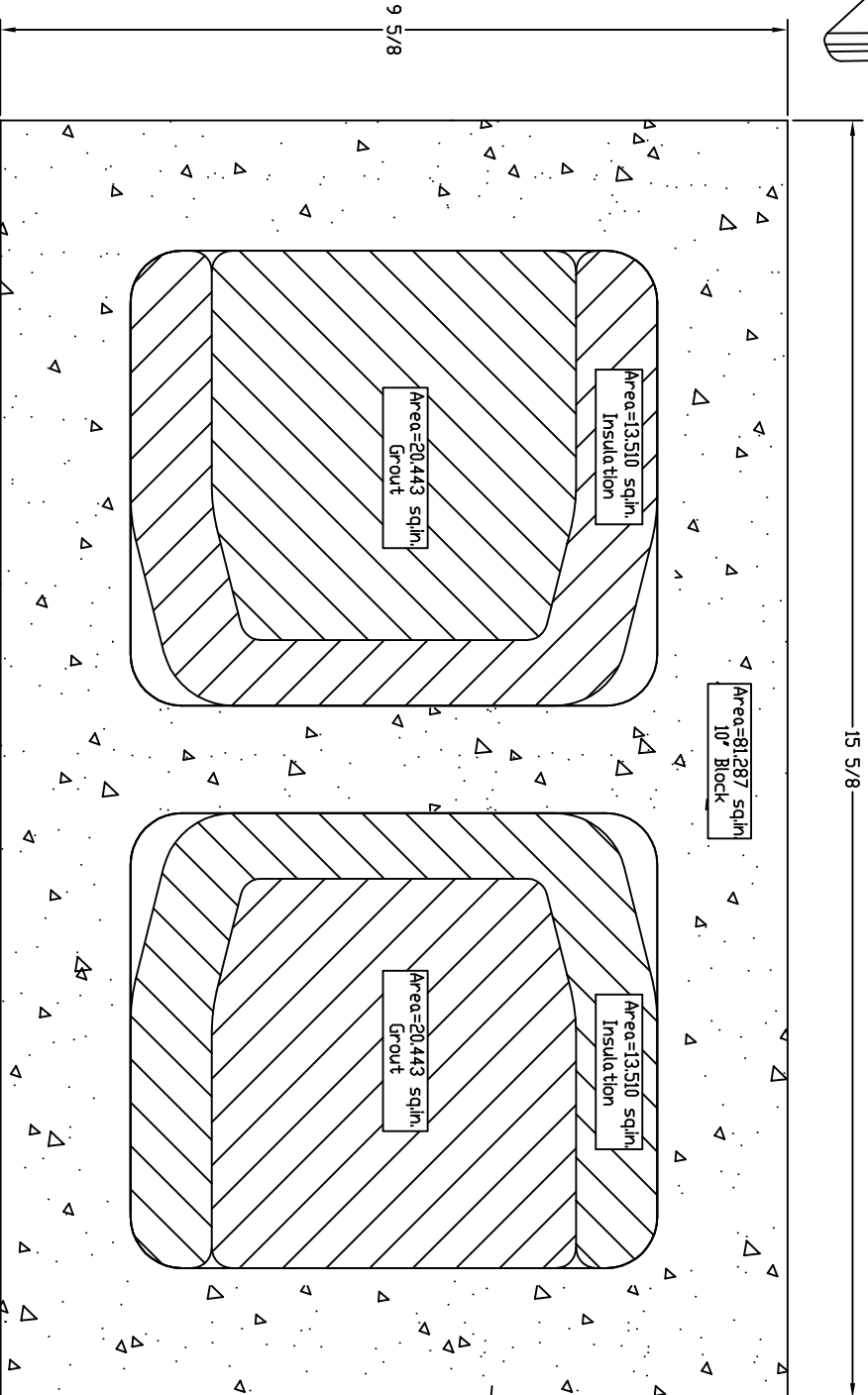
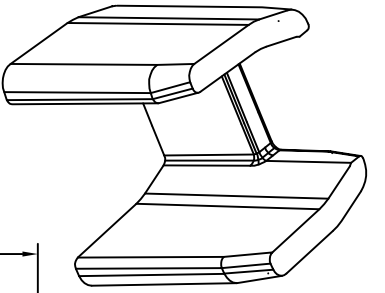
1. 10" Block Dimensions per NCMA Standards
2. View Shown at Half High Level
3. Korfil U-Shape Insulation Shown
4. Upper View Shown (The Void Section At The Center Web Is Where The Hand Hold Is Located)

CBIS/KORFIL

P.O. BOX 1000
FREIGHT HOUSE ROAD
WEST BROOKFIELD, MA. 01585
WWW.CBISINC.COM



GRYCEL
5/7/2010



NOTE:

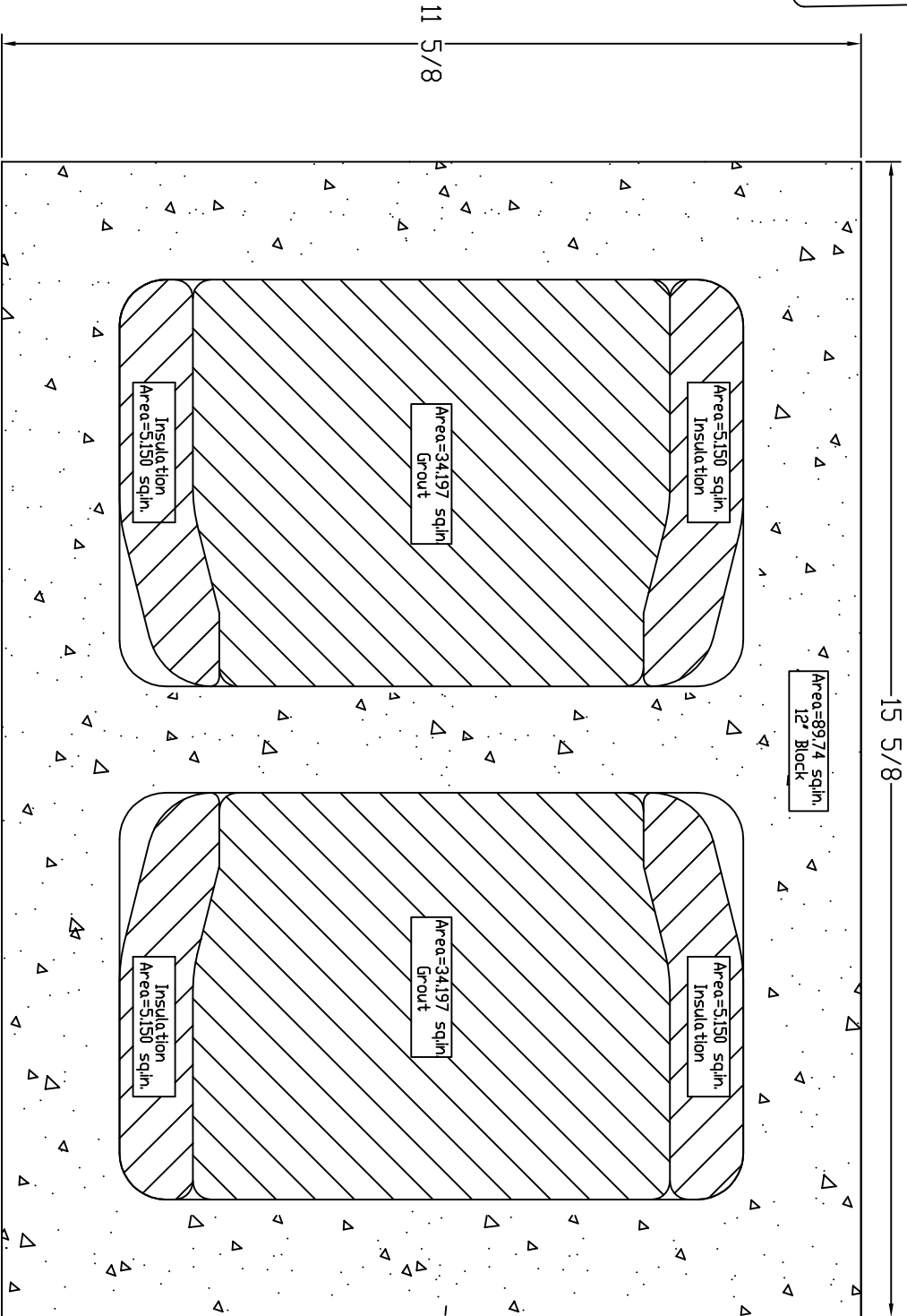
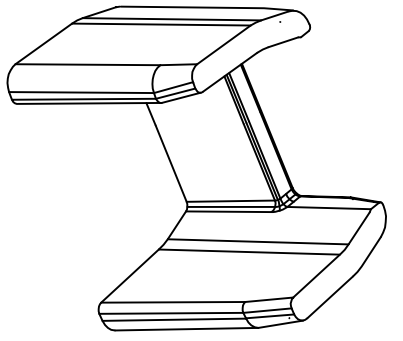
1. 10" Block Dimensions per NCMA Standards
2. View Shown at Half High Level
3. Korfil U-Shape Insulation Shown
4. Lower View Shown

CBIS/KORFIL

P.O. BOX 1000
FREIGHT HOUSE ROAD
WEST BROOKFIELD, MA. 01585
WWW.CBISINC.COM



GRYCEL
5/7/2010



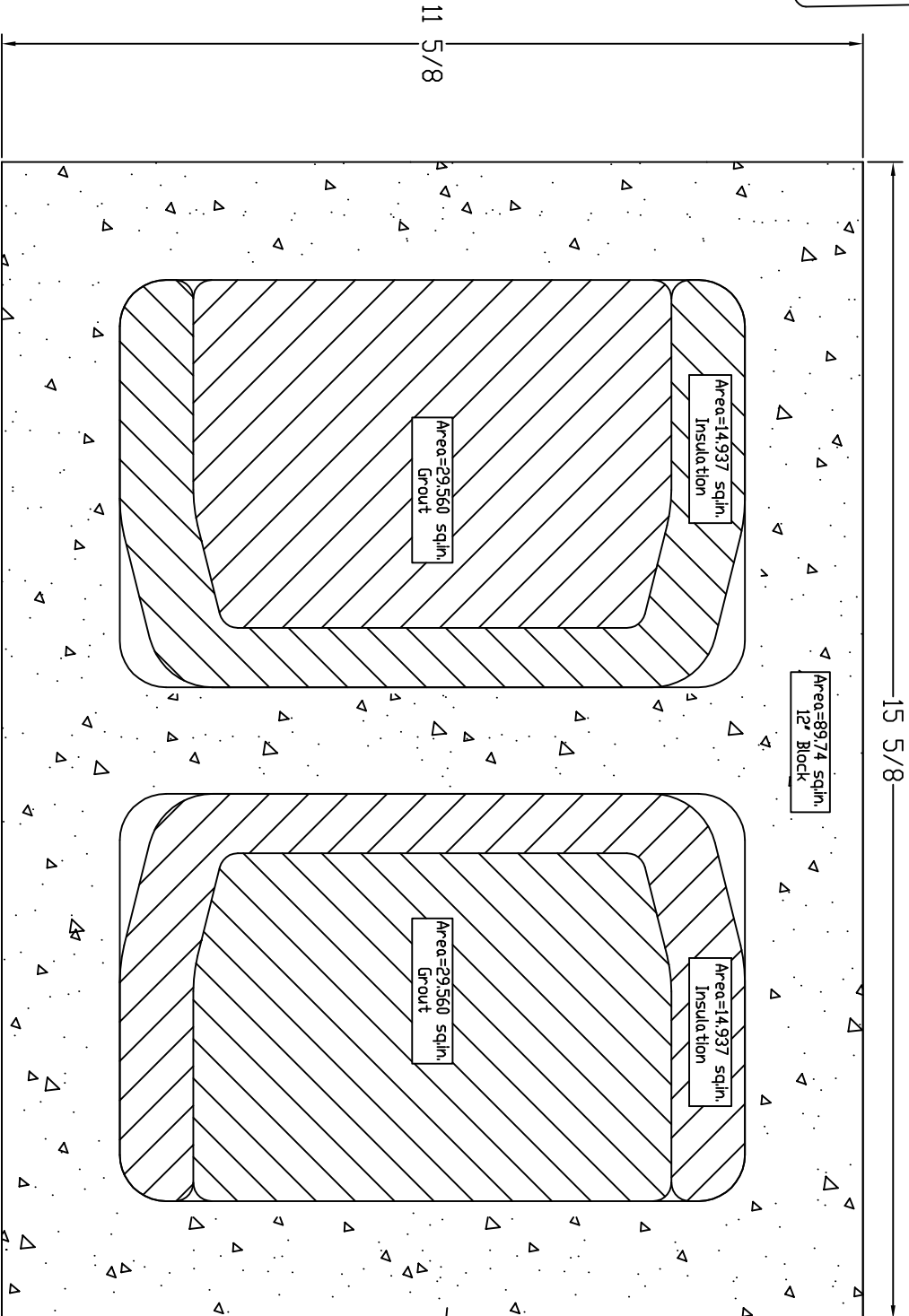
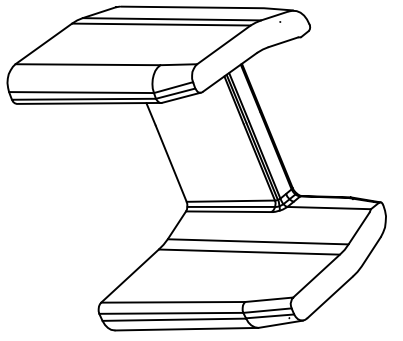
NOTE:

1. 12" Block Dimensions per NEMA Standards
2. View Shown at Half High Level
3. Korfil U—Shape Insulation Shown
4. Upper View Shown (The Void Section At The Center Web Is Where The Hand Hold Area Is Located)

CBIS/KORFIL
 P.O. BOX 1000
 FREIGHT HOUSE ROAD
 WEST BROOKFIELD, MA. 01585
 WWW.CBISINC.COM



GRYCEL
 5/7/2010



- NOTE:**
1. 12" Block Dimensions per NMA Standards
 2. View Shown at Half High Level
 3. Korfil U—Shape Insulation Shown
 4. Lower View Shown

CBIS/KORFIL
 P.O. BOX 1000
 FREIGHT HOUSE ROAD
 WEST BROOKFIELD, MA. 01585
 WWW.CBISINC.COM



GRYCEL
 5/7/2010