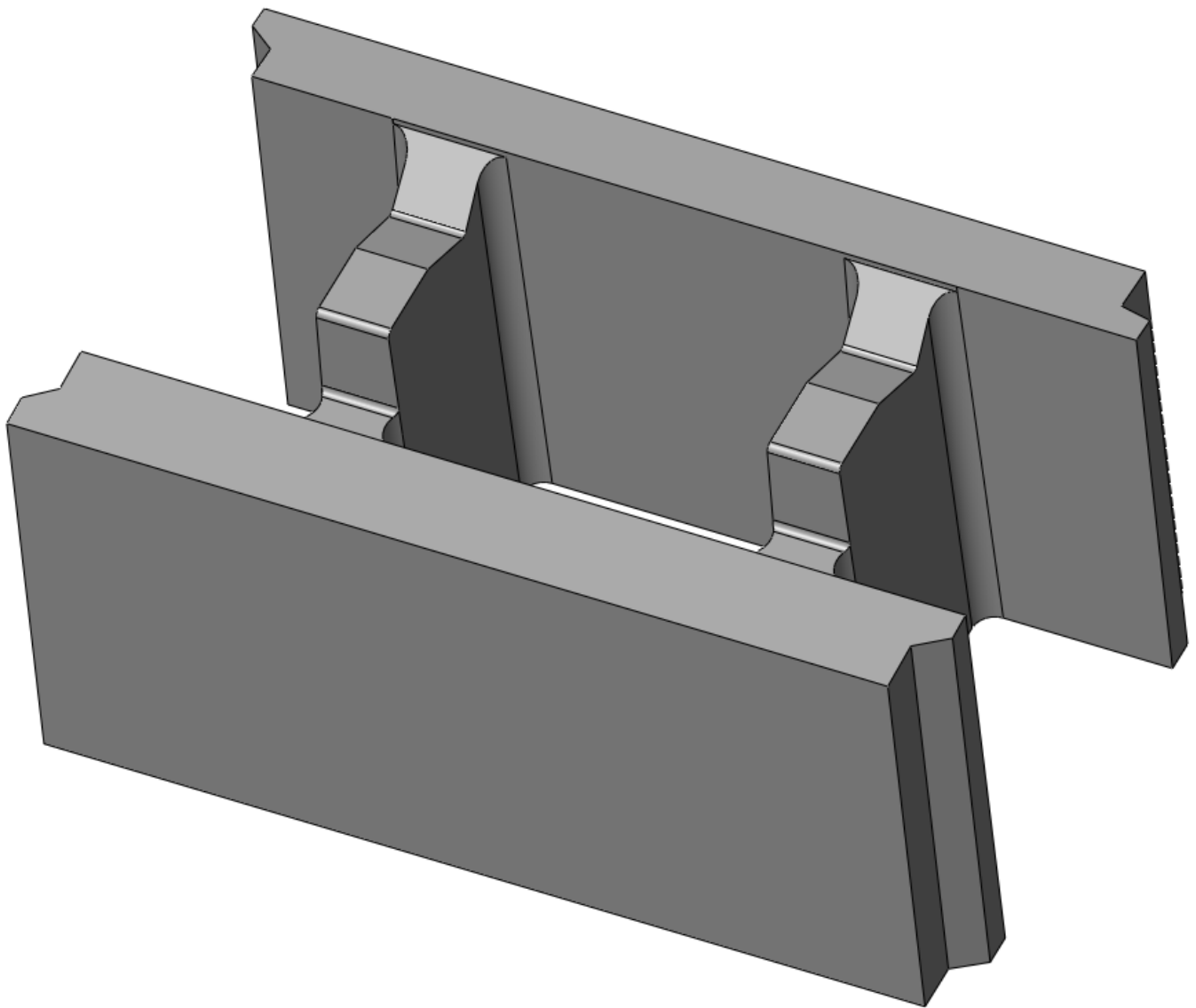
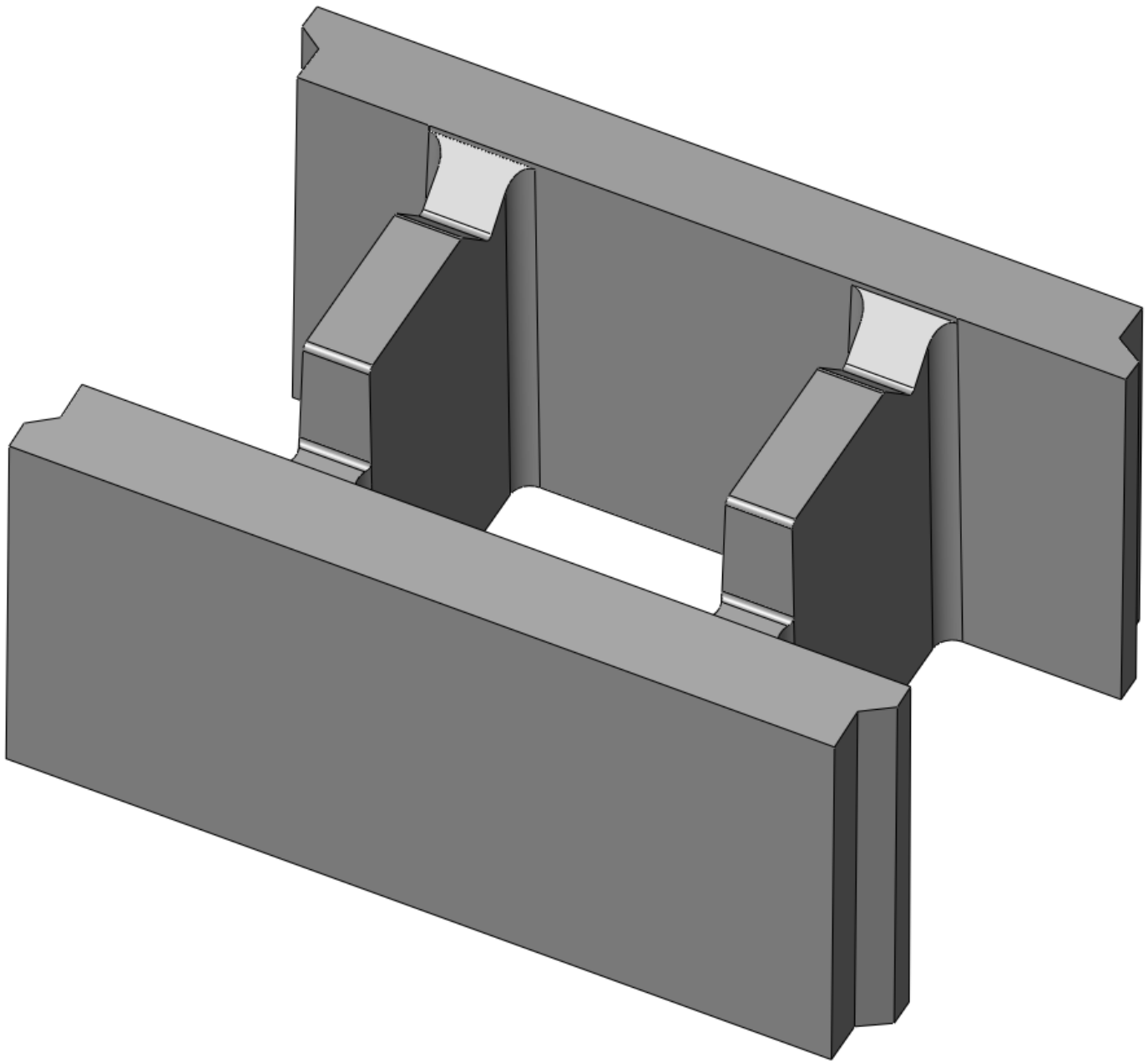


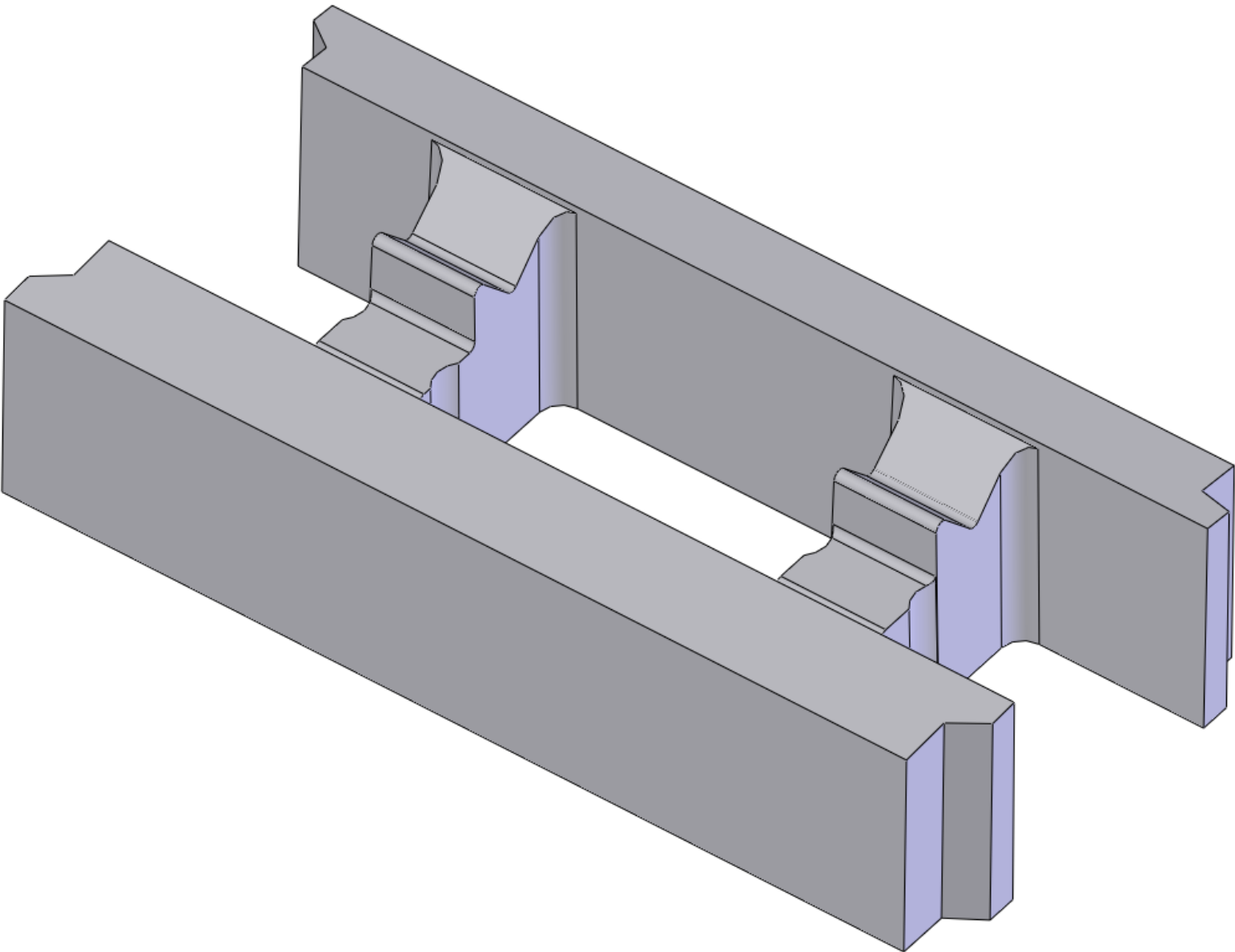
CBIS/Korfil
8" HI-R w/1 3/4" Thick Outer
Face Shell 4-29-2008
Modified Face Shell Ends 8-17-2010
Volume: 459.745 cu. in.
Equivalent thickness: 3.859 in.
11-01-2010



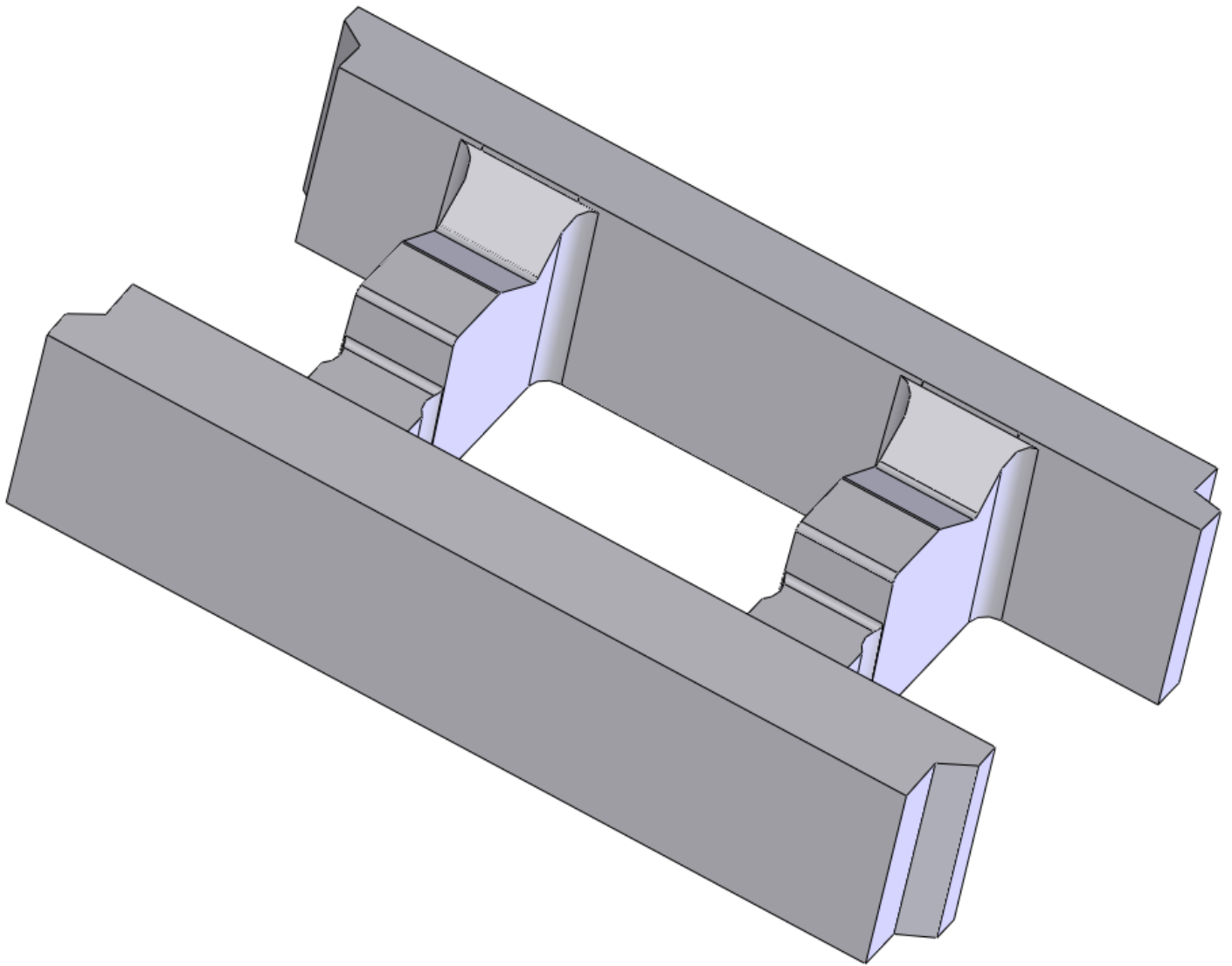
CBIS/Korfil
10" HI-R w/1 3/4 Thick Outer
Face Shell 4-29-2008
Modified Face Shell Ends 8-17-2010
Volume: 512.867 cu. in.
Equivalent Thickness: 4.305 in.
11-01-2010



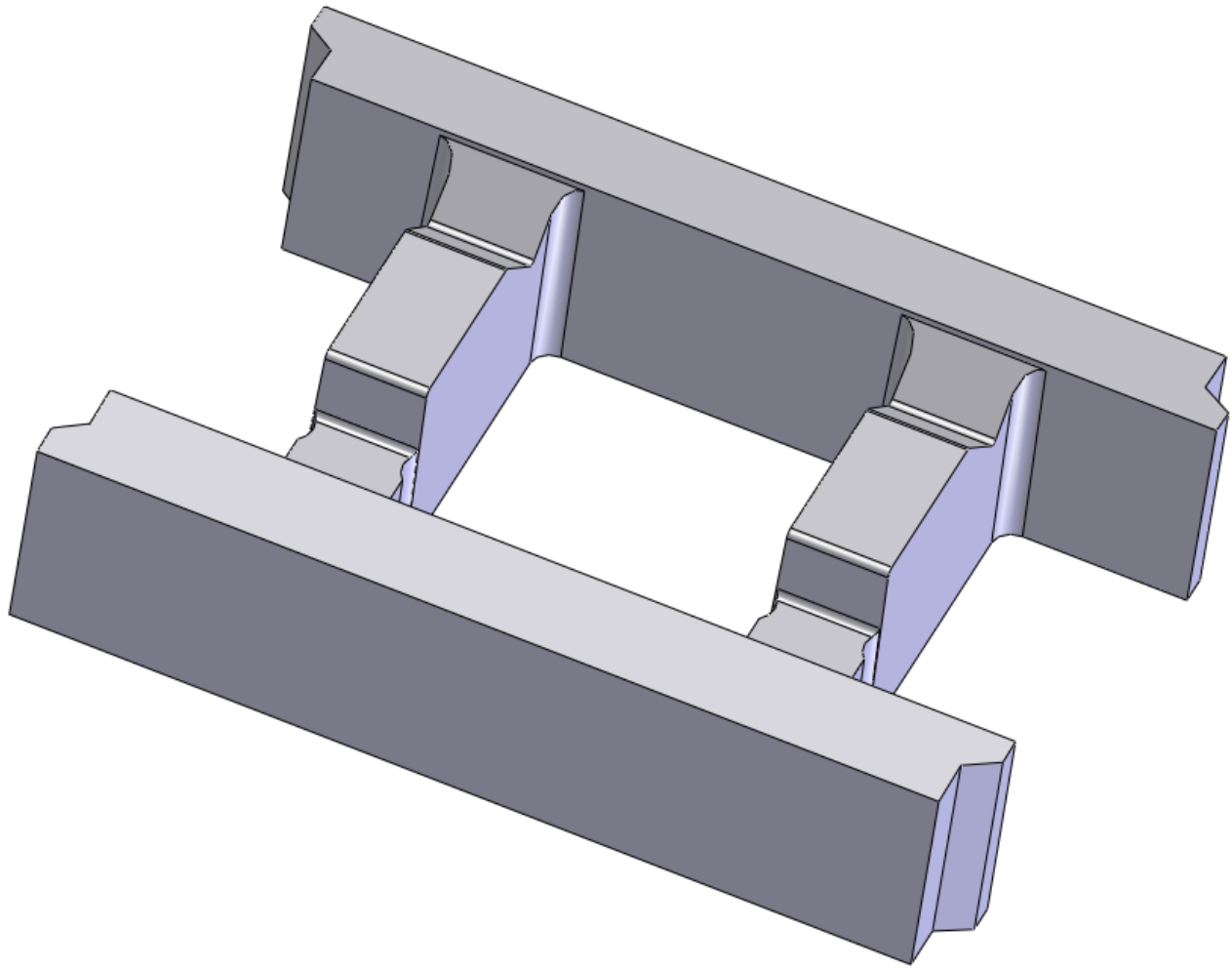
CBIS/Korfil
12" HI-R
4-29-2008
Modified Face Shell Ends 8-17-2010
Volume: 584.424 cu. in.
Equivalent Thickness: 4.905 in.
11-01-2010



CBIS/Korfil
Korfil 8" Half High HI-R
w/Thick Outer Face Shell
1/2/2007
Modified Face Shell Ends
8-17-2010
Volume: 223.726 cu. in.
Equivalent Thickness: 3.950 in.
11-01-2010



CBIS/Korfil
Korfil 10" Half High HI-R 7-4-2007
1. Added Thick Outer Face Shell 8-17-2010
2. Modified Face Shell Ends 8-17-2010
Volume: 253.577 cu. in.
Equivalent Thickness: 4.477 in.
11-01-2010



CBIS/Korfil
Korfil 12" Half High HI-R
7-5-2007
Modified Face Shell Ends
8-17-2010
Volume: 293.002 cu. in.
Equivalent Thickness: 5.173 in.
11-01-2010